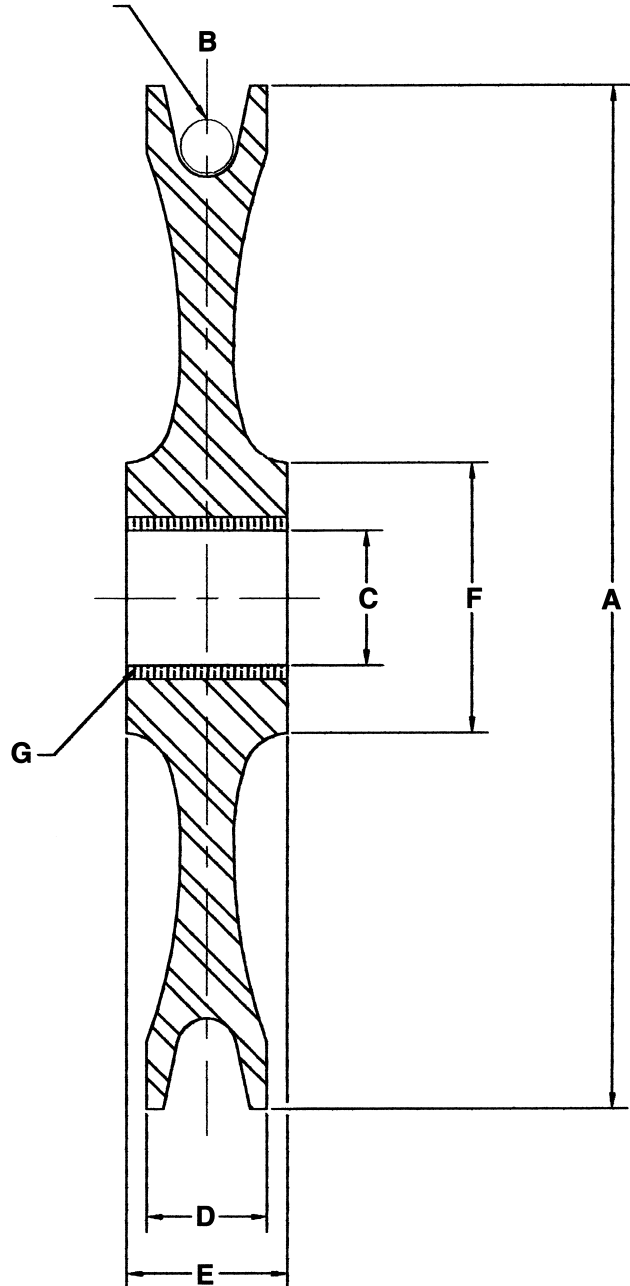


SHEAVE QUOTE / ORDER FORM

Copy this form and then fax or email it to us with your specs.

A	
OUTSIDE DIAMETER	
B	
ROPE DIAMETER	
C	
BORE	
D	
RIM WIDTH	
E	
HUB WIDTH	
F	
HUB DIAMETER	
G	
BRONZE, BUSHING, BEARING OR FINISHED BORE	
H	
QUANTITY	



COMPANY

CONTACT:

PHONE #

FAX #

Bairstow Lifting Products Co.

1785 Ellsworth Ind. Dr.

Atlanta, GA 30318

Phone 404-351-2600

800-241-8990

Fax 404-355-2046

web info@bairstow.com