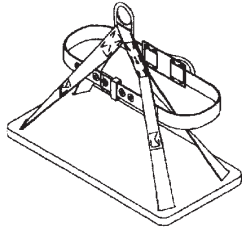


## TIE-OFF STRAPS

Important components of fall arrest systems are tie-off straps. Designed as a portable and versatile tie-off, to provide a compatible anchorage point for fall arrest. They easily exceed the 5,000 pound tie-off requirement and are lightweight, available in lengths to suit your individual needs.

CODE NO.	DESCRIPTION
83CR3	3 ft. tie-off strap, dee ring on each end
83CR4	4 ft. tie-off strap, dee ring on each end
83CR5	5 ft. tie-off strap, dee ring on each end
83CR6	6 ft. tie-off strap, dee ring on each end

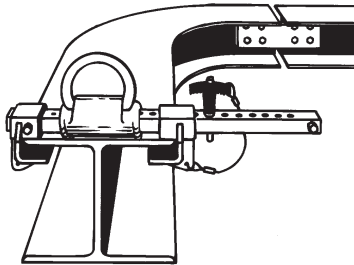
**NOTE: Other Styles and Sizes Available**



## BOATSWAIN'S CHAIR

Constructed from 1-3/4" wide polyester and 12" x 24" x 1" board. Work seat comes with a waist belt. A secondary lifeline with a rope grab and harness must always be used with the Boatswain's Chair

CODE NO.	DESCRIPTION
1204BC	Boatswain's Chair



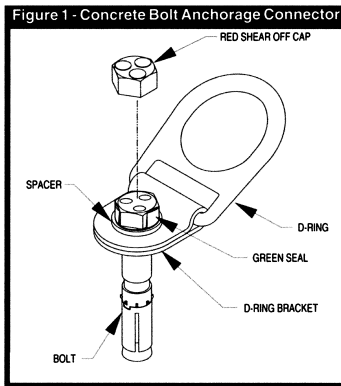
## "BEAMER" STRUCTURAL STEEL FALL PROTECTION

"Beamer Fall Arrester", hereafter referred to as "Beamer", has been designed and approved as a fall arresting device for use on "I" and "H" beams during steel erection/and building construction. "Beamer" will provide Fall Arrest for one (1) person when used per manufacturer's recommendations and specifications. "Beamer" is not to be used on any type of WOOD attachment point.

**IMPORTANT:** Including shock absorber and hooks, lanyard may not exceed six feet (6') in overall length.

CODE NO.	DESCRIPTION
BMR-2000	Fits 3-1/2" to 14" wide beam with up to a 1 1/4" thick flange top or bottom of I or H beam
BMR18-2	Fits 8" to 18" wide beam with up to a 2" thick flange top of I beam only
BBC24-4	Fits 12" to 24" wide beam and up to a 4" thick flange bottom flange only

**NOTE: Other Styles and Sizes Available.**



## CONCRETE D-RING ANCHOR

For added versatility, this anchor can be used for permanent or temporary applications - it also incorporates a re-useable D-ring assembly, just install a new bolt and it's ready to go again. Flexible anchor is ideal for use with DBI/SALA shock absorbing lanyards, self retracting lifelines or even horizontal lifeline systems. Rugged design for harsh environments with no moving or fragile parts for dust or debris to foul-up. For jobsite flexibility & ease-of-use, the device can be installed into 11/16 in., 18mm, or 3/4 in. holes. - only standard drill bits needed! 5,000 lb. rated, OSHA compatible connection point swivels 360 degrees for ultimate safety & useability. Extremely simple installation - drill hole, screw-in the anchor until "red" torque indicator cap shears off revealing a "green" hex-head which notifies the user the anchor has been installed properly. Exceeds all OSHA and ANSI requirements including ASTM E488 Standard Test Methods for Strength of Anchors for added safety.

CODE NO.	DESCRIPTION
2104560	Concrete D-Ring Anchor



## ANCHORAGE STRENGTH

Anchorage selected for personal fall arrest systems (PFAS) shall have a strength capable of sustaining static loads, applied in the directions permitted by the PFAS, of at least: (A) 3,600 lbs. (16kN) when certification exists (Reference ANSI Z359.1-1992 for certification definition), or (B) 5,000 lbs. (22.2kN) in the absence of certification. When more than one PFAS is attached to an anchorage, the anchorage strengths set forth in (A) and (B) above shall be multiplied by the number of personal fall arrest systems attached to the anchorage. Per OSHA 1926.500 and 1910.66—Anchorage used for attachment of personal fall arrest systems (PFAS) shall be independent of any anchorage being used to support or suspend platforms and capable of supporting at least 5,000 lbs. (22.2kN) per user attached, or be designed, installed and used as part of a complete PFAS which maintains a safety factor of at least two and is supervised by a qualified person.