



S-1
JAW & HOOK



S-2
JAW & JAW



S-3
JAW & EYE



S-4
EYE & JAW



S-5
EYE & EYE



S-6
EYE & HOOK

TIMKEN BEARING EQUIPPED SWIVELS

Load Rated®. All hooks furnished with latches assembled. All jaws complete with bolts, nuts and cotter pins. Sealed for pressure lubrication. Cadmium plated through 15 ton sizes. Larger capacities available through 45 tons. NOTE: Individually Proof Tested to twice the Safe Working Load. Ultimate Load is 5 times the Safe Working Load. Also available in wedge socket type.

CODE NO.	WORKING LOAD LIMIT* METRIC TONS	TYPE	WIRE ROPE SIZE (IN.)	WEIGHT LBS. EACH
297011	3-S-1	3	1/2	9.81
297020	3-S-2	3	1/2	9.63
297039	3-S-3	3	1/2	9.12
297048	3-S-4	3	1/2	9.00
297057	3-S-5	3	1/2	8.50
297066	3-S-6	3	1/2	9.32
297217	5-S-1	5	5/8	15.51
297226	5-S-2	5	5/8	13.69
297235	5-S-3	5	5/8	13.50
297244	5-S-4	5	5/8	12.33
297253	5-S-5	5	5/8	11.30
297262	5-S-6	5	5/8	14.24
297413	8-1/2-S-1	8-1/2	3/4	29.42
297422	8-1/2-S-2	8-1/2	3/4	26.16
297431	8-1/2-S-3	8-1/2	3/4	24.90
297440	8-1/2-S-4	8-1/2	3/4	29.00
297459	8-1/2-S-5	8-1/2	3/4	29.25
297468	8-1/2-S-6	8-1/2	3/4	32.00
297618	10-S-1	10	7/8	46.75
297627	10-S-2	10	7/8	45.75
297636	10-S-3	10	7/8	43.50
297645	10-S-4	10	7/8	44.00
297654	10-S-5	10	7/8	42.00
297663	10-S-6	10	7/8	45.50

CODE NO.	WORKING LOAD LIMIT* METRIC TONS	TYPE	WIRE ROPE SIZE (IN.)	WEIGHT LBS. EACH
297814	15-S-1	15	1	73.75
297823	15-S-2	15	1	62.75
297832	15-S-3	15	1	61.00
297841	15-S-4	15	1	61.00
297850	15-S-5	15	1	49.00
297869	15-S-6	15	1	63.00
298118	25-S-1	25	—	140.00
298127	25-S-2	25	—	140.00
298136	25-S-3	25	—	135.00
298145	25-S-4	25	—	135.00
298154	25-S-5	25	—	130.00
298163	25-S-6	25	—	135.00
298216	35-S-1	35	—	220.00
298225	35-S-2	35	—	155.00
298234	35-S-3	35	—	150.00
298243	35-S-4	35	—	150.00
298252	35-S-5	35	—	145.00
298261	35-S-6	35	—	215.00
298314	45-S-1	45	—	251.00
298323	45-S-2	45	—	235.00
298332	45-S-3	45	—	225.00
298341	45-S-4	45	—	225.00
298350	45-S-5	45	—	215.00
298369	45-S-6	45	—	270.00

G-402 REGULAR SWIVEL

Hot dip galvanized. Quenched and Tempered. Meets the performance requirements of Federal Spec. RR-C-271D, Type VII, Class 2, except for those provisions required of the contractor. NOTE: Ultimate Load is 5 times the Safe Working Load.



CODE NO.	SIZE (IN.)	WORKING LOAD LIMIT* (LBS.)	WEIGHT EACH (LBS.)
1016019	1/4	850	.21
1016037	5/16	1250	.39
1016055	3/8	2250	.71
1016073	1/2	3600	1.32
1016091	5/8	5200	2.49

CODE NO.	SIZE (IN.)	WORKING LOAD LIMIT* (LBS.)	WEIGHT EACH (LBS.)
1016117	3/4	7200	4.02
1016135	7/8	10000	6.25
1016153	1	12500	8.95
1016188	1-1/4	18000	16.37
1016215	1-1/2	45200	45.79

Note: NOT INTENDED TO SWIVEL UNDER LOAD.

G-403 JAW END SWIVEL

Hot dip galvanized. Quenched and Tempered. Meets the performance requirements of Federal Spec. RR-C-271D, Type VII, Class 3, except for those provisions required of the contractor. NOTE: Ultimate Load is 5 times the Safe Working Load.

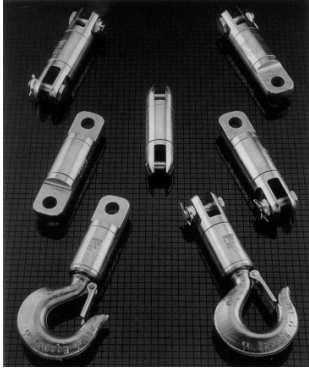


CODE NO.	SIZE (IN.)	WORKING LOAD LIMIT* (LBS.)	WEIGHT EACH (LBS.)
1016395	1/4	850	.21
1016411	5/16	1250	.34
1016439	3/8	2250	.66
1016457	1/2	3600	1.34
1016475	5/8	5200	2.48

CODE NO.	SIZE (IN.)	WORKING LOAD LIMIT* (LBS.)	WEIGHT EACH (LBS.)
1016493	3/4	7200	3.88
1016518	7/8	10000	5.87
1016536	1	12500	9.84
1016572	1-1/4	18000	15.75
1016590	1-1/2	45200	54.75

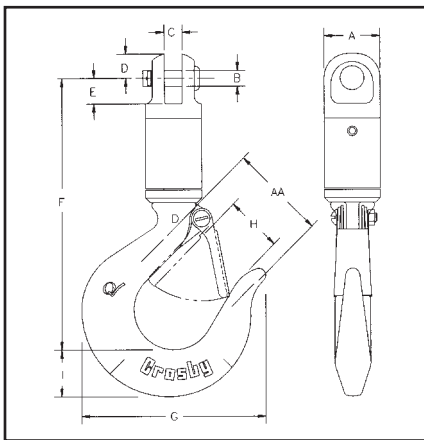
Note: NOT INTENDED TO SWIVEL UNDER LOAD.

CROSBY® ANGULAR CONTACT BEARING SWIVELS

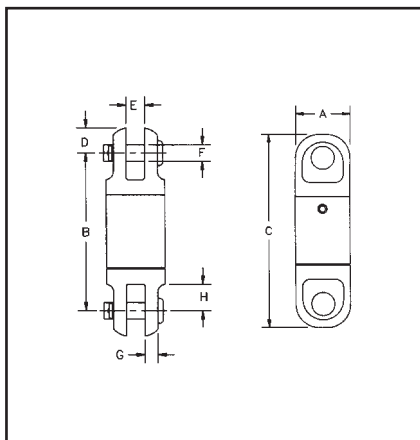


Wide range of products available. Capacity: .45 through 35 tons. Wire Rope Sizes: 1/8" through 1-1/2". Models: 7 standard configurations. Angular contact bearings maximize efficiency, reliability and service life of swivel and extend the life of the wire rope. Designed for high rotation speed: Lower torque required to initiate rotation. Individually Proof Tested to 2 times the Working Load Limit with certification. Hook models utilize genuine Crosby hooks which are forged alloy steel, Quenched and Tempered and contain the patented QUIC-CHECK™ markings. Design Factor of 5 to 1. Entire swivel is Zinc plated to resist corrosion.

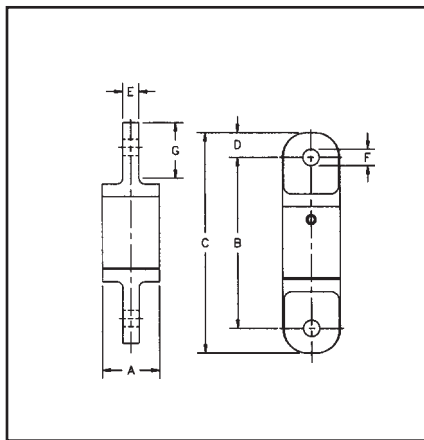
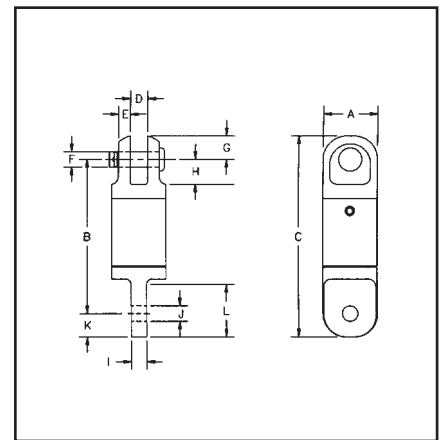
AS-1 JAW & HOOK



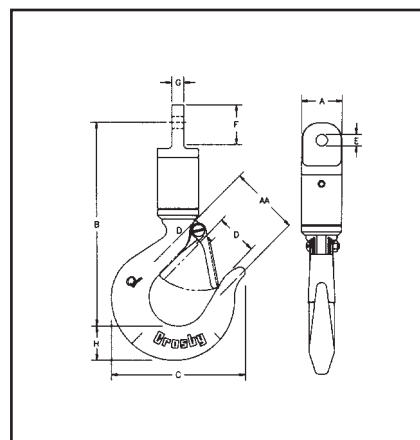
AS-2 JAW & JAW



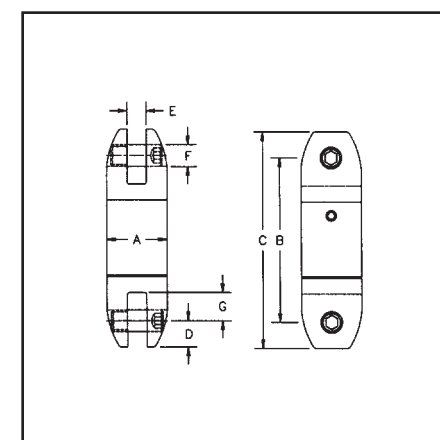
AS-3 JAW & EYE (EYE SWIVELS)
AS-4 EYE & JAW (JAW SWIVELS)



AS-5 EYE & EYE



AS-6 EYE & HOOK



AS-7 JAW & JAW (BULLET STYLE)