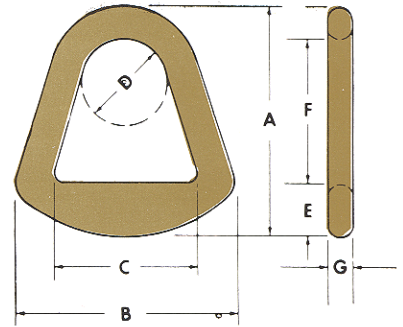


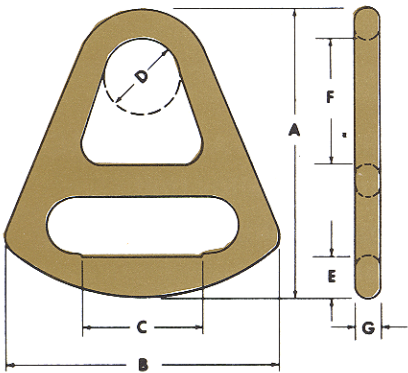
STEEL CHOKERS & TRIANGLES

Newco Steel Triangles

(4 PLY AVAILABLE)



DIMENSIONS & DATA										
SIZE	A	B	C	D	E	F	G	APPROX. WT.	W.L.L.	MIN. BREAK STRENGTH
ST2	3 7/8	3 3/4	2 1/8	1 3/4	1	2 5/16	1/2	1 LB.	6,600	33,000
ST3	5 3/16	5	3 1/16	2	1 1/4	3 5/16	1/2	1.6 LB.	8,900	44,500
ST4	6 7/16	6 5/8	4 5/16	2	1 5/8	3 7/8	1/2	2.7 LB.	11,600	58,000
ST5	7 7/8	7 15/16	5 3/16	2 1/2	2	4 15/16	1/2	3.5 LB.	14,000	70,000
ST6	9	9 1/4	6 1/8	2 3/4	2 5/16	5 9/16	1/2	5.3 LB.	16,800	84,000
ST8	11 7/16	12	8 1/4	3 5/8	2 7/8	7 3/16	3/4	12 LB.	22,400	112,000
ST10	13 1/4	14 1/8	10 1/8	4 7/8	3 5/8	8 1/4	3/4	17 LB.	28,000	140,000
ST12	13 13/16	16 7/16	12 3/8	5	4 1/16	8	3/4	19 LB.	32,000	160,000



Newco Steel Chokers

(4 PLY AVAILABLE)

DIMENSIONS & DATA										
SIZE	A	B	C	D	E	F	G	APPROX. WT.	W.L.L.	MIN. BREAK STRENGTH
SC2	6	5 1/2	2 1/8	2	1 1/16	2 1/4	1/2	2 LB.	6,600	33,000
SC3	7 1/2	7	3 1/8	2	1 3/16	3 3/16	1/2	2.9 LB.	8,900	44,500
SC4	9 5/16	9 9/16	4 1/8	2 1/2	1 13/16	3 1/2	1/2	6 LB.	11,600	58,000
SC5	10 9/16	11 5/8	5 1/8	2 3/4	2 1/16	4 7/16	1/2	7 LB.	14,000	70,000
SC6	12	12 3/4	6 1/8	2 7/8	2 11/16	4 9/16	1/2	9.8 LB.	16,800	84,000
SC8	14 7/16	16 1/2	8 1/8	5	2 13/16	6 7/16	3/4	24 LB.	22,400	112,000
SC10	16 1/2	18 3/4	10 1/4	5 1/8	3 1/2	7 5/8	3/4	28 LB.	28,000	140,000
SC12	19 1/4	22 5/8	12 1/8	5 1/2	4 1/4	9 3/4	3/4	40 LB.	32,000	160,000