



S-341 AND G-341 WELDLESS SLING LINKS

Self colored or hot dip galvanized. Forged from special bar quality carbon and alloy steels. Weldless. Minimum Ultimate Load is 6 times the Safe Working Load.

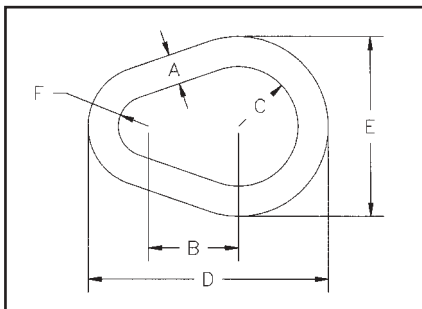
PAINTED S-341 CODE NO.	DIAMETER STOCK (IN.)	SAFE WORKING LOAD, SINGLE PULL POUNDS	INSIDE LENGTH (IN.)	INSIDE WIDTH SMALL END	INSIDE WIDTH LARGE END	WEIGHT LBS. EACH
1013904	3/8	1600	2-1/4	3/4	1-1/2	.25
1013922	1/2	2900	3	1	2	.55
1013940	5/8	4200	3-3/4	1-1/4	2-1/2	1.10
1013968	3/4	6000	4-1/2	1-1/2	3	1.95
1013986	7/8	8300	5-1/4	1-3/4	3-1/2	2.78
1014002	1	10800	6	2	4	4.30
1014020	1-1/4	16750	7-3/4	2-1/2	5	8.50
1014048	1-3/8	20500	8-1/4	2-3/4	5-1/2	12.04

GALVANIZED G-341 CODE NO.	DIAMETER STOCK (IN.)	SAFE WORKING LOAD, SINGLE PULL POUNDS	INSIDE LENGTH (IN.)	INSIDE WIDTH SMALL END	INSIDE WIDTH LARGE END	WEIGHT LBS. EACH
1013897	3/8	1600	2-1/4	3/4	1-1/2	.25
1013913	1/2	2900	3	1	2	.55
1013931	5/8	4200	3-3/4	1-1/4	2-1/2	1.10
1013959	3/4	6000	4-1/2	1-1/2	3	1.95
1013977	7/8	8300	5-1/4	1-3/4	3-1/2	2.78
1013995	1	10800	6	2	4	4.30
1014011	1-1/4	16750	7-3/4	2-1/2	5	8.50
1014039	1-3/8	20500	8-1/4	2-3/4	5-1/2	12.04



A-341 ALLOY PEAR SHAPED LINKS

Alloy steel. Quenched and tempered. Individually proof tested at 2 times Working Load Limit with certification. Proof Test certification shipped with each link. Sizes 1/2", 5/8", 3/4", and 1" are drop forged.



CODE NO.	STOCK SIZE (A) IN.	WORKING LOAD LIMIT (LBS.)*	WEIGHT EACH (LBS.)	B	C	DIMENSIONS (IN.)		
						D	E	F
1013575	1/2	4920	.55	1.50	1.00	4.00	3.00	.50
1013584	5/8	6600	1.10	1.88	1.25	5.00	3.75	.63
1013595	3/4	10320	1.76	2.25	1.50	6.00	4.50	.75
1013604	7/8**	17340	2.82	2.63	1.75	7.00	5.25	.88
1013613	1	24360	4.22	3.00	2.00	8.00	6.00	1.00
1013622	1-1/8**	29760	6.25	3.13	2.25	8.75	6.75	1.13
1013631	1-1/4**	35160	8.25	3.75	2.50	10.00	7.50	1.25
1013640	1-3/8**	41520	11.25	4.13	2.75	11.00	8.25	1.38
1013649	1-1/2**	47880	14.25	4.50	3.00	12.00	9.00	1.50
1013658	1-5/8**	55200	18.50	4.88	3.25	13.00	9.75	1.63
1013667	1-3/4**	62520	22.50	5.25	3.50	14.00	10.50	1.75
1013676	1-7/8**	80100	29.00	5.63	3.75	15.00	11.25	1.88
1013685	2**	97680	34.00	6.00	4.00	16.00	12.00	2.00
1013694	2-1/4**	119400	48.00	6.75	4.50	18.00	13.50	2.25
1013703	2-1/2**	147300	66.00	7.50	5.00	20.00	15.00	2.50
1013712	2-3/4**	178200	88.00	8.25	5.50	22.00	16.50	2.75
7013721	3**	228000	114.00	9.00	6.00	24.00	18.00	3.00
1013730	3-1/4**	262200	146.00	9.75	6.50	26.00	19.50	3.25
1013739	3-1/2**	279000	181.00	10.50	7.00	28.00	21.00	3.50
1013748	4**	373000	271.00	12.00	8.00	32.00	24.00	4.00

*Based on single leg slings. Minimum Ultimate Load is 4 times Working Load Limit.

**Welded Master Link.