



Committed to Quality, Innovation and Customer Service

THE LEADERS IN OVERLOAD PROTECTION

www.ozliftingproducts.com

*Proudly Supporting
the Comfort Warriors
Program.*

**P.O. Box 845, Winona, MN 55987 • sales@ozliftingproducts.com
Ph 507.474.6250 • Tf 800.749.1064 • Tech Support 507.457.3346 • Fx 507.452.5217**

OZ Lifting Products LLC
Proudly Supporting the
Comfort Warriors Program

QUALITY CONTROL

In our continued commitment to quality, we have made some important changes to how we serve our customers. Through enhanced oversight and testing, we ensure that the bar has been set high in our effort to have the best quality control possible.

All OZ hoists are individually assembled, rigged with chain and tested here in the United States. We want you to have a positive experience each and every time using our OZ products. Hoists equipped with overload are set at 50% above the rated capacity, triple tested and signed off by two tech's ensuring accuracy and traceability. An individual test certificate is generated and included with your purchase. The cert includes load test information collected here at OZ, providing the utmost reliability.

We have all the documentation on every test completed by the factory and by OZ, right down to the names of the technicians who rigged and tested each hoist.

All OZ products come with a test certificate and serial number for full traceability

Product Test Certificate

TEST CERTIFICATE

This is to certify that the nominated size and quality of the following **OZ LIFTING PRODUCTS LLC** product has been thoroughly inspected and tested, using the pre-determined load.

Description: _____

Serial Number: _____

Model Number: _____

Chain Size and Grade: _____

W.L.L.: _____

Proof Load Applied: SP

Date: _____ (12)

Authorized Signature: _____ [Signature]

Manufactured and triple tested for and on behalf of:
OZ LIFTING PRODUCTS LLC
P.O. Box 845 Winona, MN 55987
Phone: (800) 749-1064
(507) 474-6250
Fax: (507) 452-5217
www.ozliftingproducts.com



The AWRF membership covers the spectrum of the lifting, rigging and load securement industry. The professionals who are members of AWRF are constantly striving to maintain the highest standards of quality and service obtainable in the industry.



P.O. Box 845 Winona, MN 55987 • Tf: (800) 749-1064
Ph:(507) 474-6250 | Fx: (507) 452-5217 | Tech Support: (507) 457-3346
sales@ozliftingproducts.com | www.ozliftingproducts.com

OVERLOAD PROTECTION

Every Premium OZ Lever Hoist rated .75 through 9 ton and OZ Premium Chain Hoists rated .5 through 50 ton comes **standard with Overload Protection**. This feature exists to protect the operator and take the guesswork out of the weight of the load so if you guess wrong, the hoist will transition into overload. The cost of maintaining hoists fall into three categories: injuries, lost production and maintenance costs. Overload Protection helps reduce these costs and risk of injury.

The OZ Hoists are rigged and the overloads set to 50% over the rated capacity. Our technicians double-check and sign off on each hoist, providing a reliable test certificate. We advise to never lift a load that weighs more than the rating of the hoist, however, if activated, the hoist will transition into overload, alerting the operator they are above the hoist's rating and preventing further operation. Once activated, the operator has the opportunity to lower the load (if lifting) or release the load (if pulling), then select a larger capacity hoist or consult a lifting specialist for another means of operation.



**The Leaders in
Overload Protection**

www.ozliftingproducts.com

Downloads:

- Product Catalog
- Spare Parts List
- Lever Hoist Pre-Load Information
- Operators Manuals
- Product Pictures
- Maintenance Animations
- Product Dimensions and Specification Charts

Videos:

- Chain Hoist and Lever Hoist - The Basics
- Products' Features and Benefits
- Overload Protection
- Product Disassembly
- Product Assembly
- CompOZite Davit Crane



and much more...



P.O. Box 845 Winona, MN 55987 • Tf: (800) 749-1064
Ph: (507) 474-6250 | Fx: (507) 452-5217 | Tech Support: (507) 457-3346
sales@ozliftingproducts.com | www.ozliftingproducts.com



Our new overload device is engineered for even better repeatability. This protection is standard on all of our premium hoists. The overload is integral with the hoist and prevents the operator from overloading. When activated, the overload will not allow hoist operation. If the overload feature is activated, lower the load (if lifting), or release the load (if pulling). Then select a larger capacity hoist, or consult a lifting specialist for another means of operation.

- Minimal Load Lifting Effort** These hoists require 20% - 30% less effort than the competition, allowing you to lift heavy loads with ease. This is ideal for frequent lifting/pulling applications.
- Fully-Enclosed Gearing** Gears are protected from contamination and debris.
- Electro Zinc-Plated Chain** Provides a durable non-oily finish.
- All-Steel Construction** Strong, durable, and rugged, providing a long and dependable service life.
- Forged-Alloy Steel Hooks Cast Steel Safety Latches** Each heavy-duty, cast-steel safety latch has a bolt-and-lock nut connection. This feature facilitates changing latches in the field.
- Weather Proof Load Holding Brake** A protected Weston Brake holds the load during the entire operation. The hoists are also equipped with a unique twin pawl design.
- Gears and Shafts on Captured Roller Bearings** This feature provides smooth, controlled operation as well as maintenance-free lubrication.
- Stainless Steel Riveted ID Tags** Rust-free tags help communicate clear information for easy identification.
- Safety-Yellow Powder Coating** A long-lasting finish in hostile environments.
- Maintenance** Hoists can be quickly disassembled for fast and easy maintenance. See videos and maintenance breakdown animations at ozliftingproducts.com. Maintenance videos are available upon request.
- Certification** Each hoist is load tested at OZ Lifting and comes with a serial number and test certificate dedicated to each hoist. This provides complete traceability throughout the manufacturing process.

**Additional features and benefits listed on pages 5 – 7*

VIDEO:
LEVER HOIST BASICS



Or visit:
ozliftingproducts.com

VIDEO:
CHAIN HOIST BASICS



Or visit:
ozliftingproducts.com

FEATURES AND BENEFITS

Free Wheel Feature - When not under load, the operator can disengage the gearing by positioning the selection switch to the center position. This allows for a quick adjustment of chain for faster operation.

Machined Lift Wheel - Perfectly accepts the chain allowing for a smooth, long-lasting operation.

Pull Handle / Safety Chain Stop - When not under load, this feature allows for quick disengagement of gearing, which allows for fast movement of the load hook. The safety chain stop is designed and load tested to hold the load in the event that the entire load chain is transmitted through the hoist.

360-Degree Handle Rotation - Allows the operator to work in confined spaces.

Corrosion Protection - Hoist components are powder coated to prevent corrosion. Product ID labels are made from stainless steel.

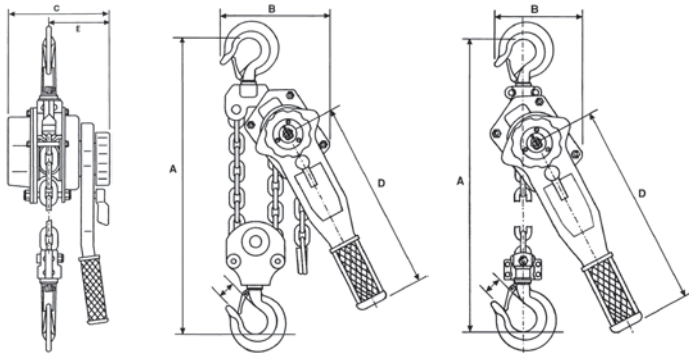
Fully-Enclosed Lift Wheel - Maintains smooth operation while distributing the load over more links of chain. It also helps keep debris from contaminating the lift wheel and self cleans the chain as it enters the wheel.

Steel Handle with Rubber Grip - Provides a non-slip, sure-grip, surface.

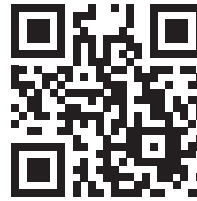
Cast Steel Hand Wheel - Rotates to allow positive load chain positioning.

Lower Block - Included with multi-strand hoists.

SPECIFICATIONS (0.75, 1.5, 3, 6, and 9 tons)



VIDEO:
LEVER HOIST FEATURES



Or visit:
ozliftingproducts.com

Product Code	OZ075LHOP	OZ150LHOP	OZ300LHOP	OZ600LHOP	OZ900LHOP	
Safe Working Lift (tons)	0.75 (t)	1.5 (t)	3 (t)	6 (t)	9 (t)	
Headroom (in)	12.79 (in)	14.96 (in)	18.90 (in)	24.41 (in)	27.56 (in)	
Effort on lever to lift full load (lbs)	30.86 (lbs)	48.50 (lbs)	70.55 (lbs)	74.96 (lbs)	79.37 (lbs)	
Number of Load Chain Falls	1	1	1	2	3	
Diameter of Load Chain (mm)	6 (mm)	8 (mm)	10 (mm)	10 (mm)	10 (mm)	
Length of Lever Handle (in)	11.02 (in)	16.14 (in)	16.14 (in)	16.14 (in)	16.14 (in)	
Dimensional Information (in)	A	12.79 (in)	14.96 (in)	18.89 (in)	24.40 (in)	27.55 (in)
	B	5.35 (in)	6.29 (in)	7.08 (in)	9.25 (in)	12.44 (in)
	C	5.82 (in)	6.77 (in)	7.87 (in)	7.87 (in)	7.87 (in)
	D	11.02 (in)	16.14 (in)	16.14 (in)	16.14 (in)	16.14 (in)
	E	3.54 (in)	3.85 (in)	4.52 (in)	4.52 (in)	4.52 (in)
Hook-opening, upper & lower (in)	1.18 (in)	1.41 (in)	1.57 (in)	1.96 (in)	2.28 (in)	
Net Weight of Head Only (lbs)	13 (lbs)	22 (lbs)	33 (lbs)	51 (lbs)	81 (lbs)	

*Standard Lift: 5,10,15, and 20 ft. - We also do custom rigging

Dimensions are for reference only and subject to change without notice.



P.O. Box 845 Winona, MN 55987 • Tf: (800) 749-1064
Ph: (507) 474-6250 | Fx: (507) 452-5217 | Tech Support: (507) 457-3346
sales@ozliftingproducts.com | www.ozliftingproducts.com

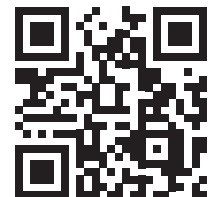


FREE
Spare Set
of Latches

Standards:
CE
AS1418.2
ANSI B30.21

Individually Tested
Test Certificate
- Included -

VIDEO:
OVERLOAD PROTECTION



Or visit:
ozliftingproducts.com

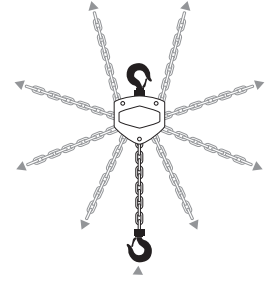


PREMIUM CHAIN HOIST



FEATURES AND BENEFITS

Unique Hand Wheel Design - This feature enables the hand chain to successfully feed directly into the wheel sprocket from many directions and angles. Thus, the operator can use the hoist while standing to the side of, or even above the load without fear of the hand chain jamming.



Thrust Bearing on Lower Hook - Allows easy rotation of load while suspended and prevents load chain twisting.

Fully-Machined Lift Wheel - Perfectly accepts the chain allowing for a smooth, long-lasting operation.

Fully-Enclosed Lift Wheel - Maintains smooth operation while distributing the load over more links of chain. It also helps keep debris from contaminating the lift wheel and self cleans the chain as it enters the wheel.

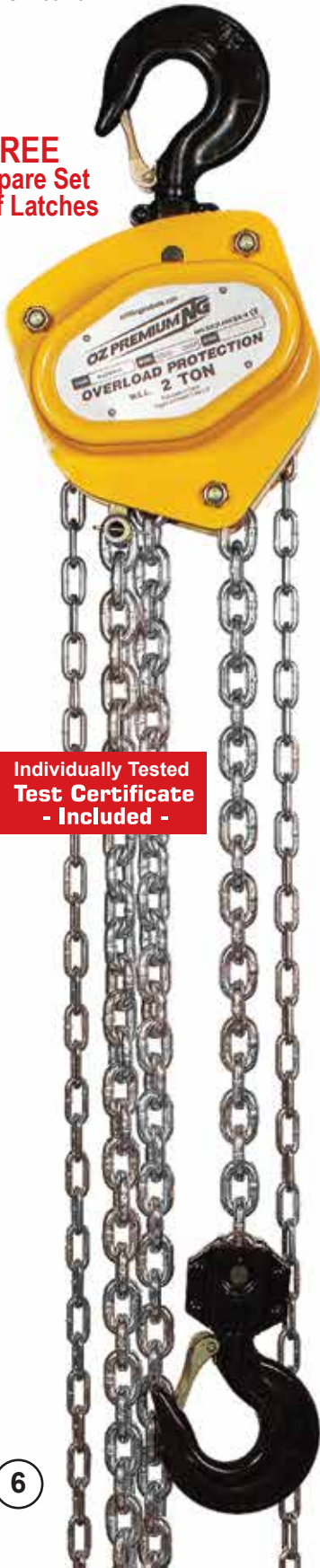
Lifting or Pulling - Can be used for lifting or pulling which makes for a more versatile tool.

Low Headroom - Provides maximum lift by minimizing space taken up by the hoist, making it ideal in restricted space applications.

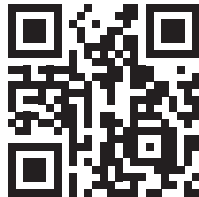
Corrosion Protection - Hoist components are powder coated to prevent corrosion. Product ID labels are made from stainless steel.

Standards:
CE
AS1418.2
ANSI B30.16

FREE Spare Set of Latches



Individually Tested Test Certificate - Included -



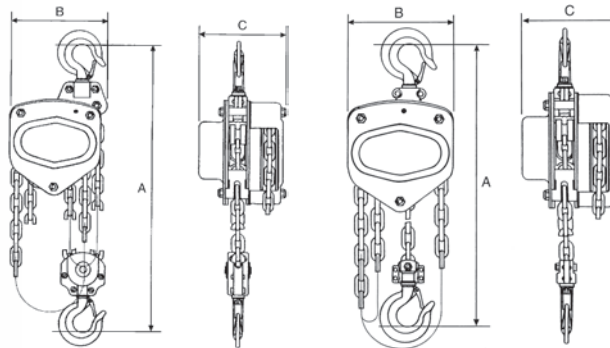
VIDEO:
CHAIN HOIST FEATURES
Or visit: ozliftingproducts.com

VIDEO:
CHAIN HOIST DISASSEMBLY



Or visit: ozliftingproducts.com

SPECIFICATIONS (0.5, 1, 1.5, 2, 3, 5 and 10 tons)



VIDEO:
CHAIN HOIST ASSEMBLY



Or visit: ozliftingproducts.com

Product Code	OZ005CHOP	OZ010CHOP	OZ015CHOP	OZ020CHOP	OZ030CHOP	OZ050CHOP	OZ100CHOP
Safe Working Load (tons)	.5 (t)	1 (t)	1.5 (t)	2 (t)	3 (t)	5 (t)	10 (t)
Falls of Chain	1	1	1	1	2	2	4
Effort to Lift S.W.L (lbs)	50.10 (lbs)	66.14 (lbs)	70.46 (lbs)	77.16 (lbs)	59.52 (lbs)	90.39 (lbs)	85.98 (lbs)
Load chain Diameter (mm)	6 (mm)	6 (mm)	8 (mm)	8 (mm)	8 (mm)	10 (mm)	10 (mm)
Dimensional Information (in)	A	10.62 (in)	12.48 (in)	15.70 (in)	16.29 (in)	18.30 (in)	29.52 (in)
	B	5.00 (in)	6.22 (in)	6.75 (in)	7.36 (in)	8.26 (in)	15.57 (in)
	C	5.15 (in)	5.51 (in)	6.33 (in)	6.33 (in)	6.33 (in)	7.24 (in)
Hook-opening, upper & lower (in)	1.18 (in)	1.10 (in)	1.41 (in)	1.31 (in)	1.57 (in)	1.96 (in)	2.51 (in)
Net Weight of Head Only (lbs)	17 (lbs)	22 (lbs)	31 (lbs)	35 (lbs)	39 (lbs)	67 (lbs)	115 (lbs)

*Standard Lift: 10 and 20 ft. - We also do custom rigging

Dimensions are for reference only and subject to change without notice.

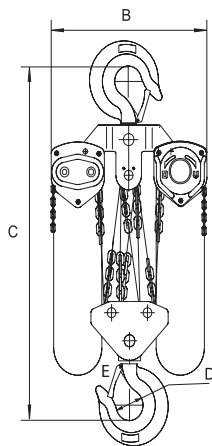


P.O. Box 845 Winona, MN 55987 • Tf: (800) 749-1064
Ph:(507) 474-6250 | Fx: (507) 452-5217 | Tech Support: (507) 457-3346
sales@ozliftingproducts.com | www.ozliftingproducts.com

SPECIFICATIONS (20 and 30 tons)



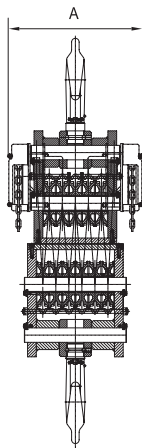
OZ200-CHOP



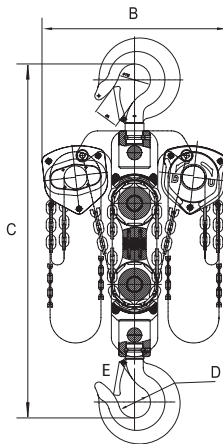
Rigged and tested in the U.S.A.

Standards:

CE
AS1418.2
ANSI B30.16



OZ300-CHOP



**Individually Tested
Test Certificate
- Included -**

Model	OZ200-CHOP	OZ300-CHOP
Capacity	20 tons	30 tons
Effort required to lift rated load	112 lbs	112 lbs
Strands of load chain	8	12
Load chain diameter	10 mm	10 mm
Dimensions	A	8.39 in
	B	25.56 in
	C	35.83 in
	D	4.29 in
	E	3.34 in
	Weight: 30Ton - 10ft. = 643lbs. 30Ton - 20ft. = 855 lbs	
Net Weight of Head Only	254 lbs	432 lbs

Dimensions are for reference only and subject to change without notice.

10 mm Load Chain 1.5 lbs per/ft

Standard Lift: 10 and 20 ft. - We also do custom rigging

50 Ton Available.



P.O. Box 845 Winona, MN 55987 • Tf: (800) 749-1064
Ph: (507) 474-6250 | Fx: (507) 452-5217 | Tech Support: (507) 457-3346
sales@ozliftingproducts.com | www.ozliftingproducts.com

HEAVY DUTY OZ ECONOMY LEVER HOIST



Rigged and tested
in the U.S.A.



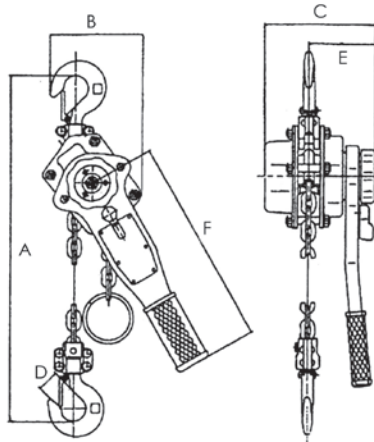
*Non-overload
Standards:
CE
ANSI B30.21

Individually Tested
Test Certificate
- Included -

Features:

- All-steel construction
- Weatherproof twin pawl brake
- Industrial gray powder coating
- Steel handle with rubber grip
- Fully-enclosed gearing
- Individual test certificate
- Heavy-duty latches
- Individual Serial Number
- Minimum head room
- Grade 80 Alloy Chain
- Ease of operation
- Forged alloy steel hooks
- Load sheave bearings

Capacity: 0.75, 1 1/2, and 3 Ton



Model	OZHDE075	OZHDE015	OZHDE030
Capacity	0.75 ton	1.5 ton	3 ton
Effort required to lift the rated load	31.49 lbs	49.46 lbs	71.94 lbs
Strands of chain	1	1	1
Load chain diameter	6 mm	8 mm	10 mm
Dimensions	A	12.80 in	14.96 in
	B	5.35 in	6.30 in
	C	5.83 in	6.77 in
	D	1.24 in	1.38 in
	E	3.54 in	3.86 in
	F	11.02 in	16.14 in
Net Weight of Head Only	11 lbs	19 lbs	34 lbs

Dimensions are for reference only and subject to change without notice.

*Standard Lift: 5, 10, 15, and 20 ft. - We also do custom rigging

HEAVY DUTY OZ ECONOMY CHAIN HOIST



Rigged and tested
in the U.S.A.



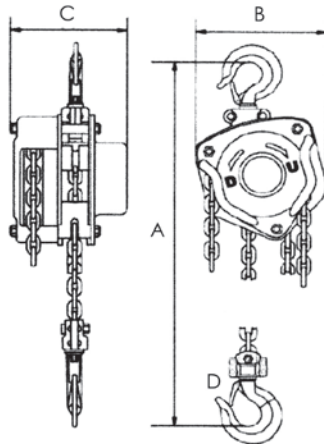
*Non-overload
Standards:
CE
ANSI B30.16

Individually Tested
Test Certificate
- Included -

Features:

- All-steel construction
- Weatherproof twin pawl brake
- Industrial gray powder coating
- Zinc-plated hand chain
- Fully-enclosed gearing
- Individual Test Certificate
- Heavy-duty latches
- Individual Serial Number
- Minimum head room
- Grade 80 Alloy Chain
- Ease of operation
- Forged alloy steel hooks
- Load sheave bearings

Capacity: 0.5, 1, and 2 Ton



Model	OZHDE005	OZHDE010	OZHDE020
Capacity	0.5 ton	1 ton	2 ton
Effort required to lift the rated load	48 lbs	72 lbs	75 lbs
Strands of load chain	1	1	1
Load chain diameter	5 mm	6 mm	8 mm
Dimensions	A	10.63 in	12.48 in
	B	5.38 in	5.73 in
	C	5.16 in	5.91 in
	D	1.23 in	1.26 in
Net Weight of Head Only	14 lbs	19 lbs	32 lbs

Dimensions are for reference only and subject to change without notice.

*Standard Lift: 10 and 20 ft. - We also do custom rigging

OZ MECHANICAL LEVER HOIST

Capacity: 500 lbs.

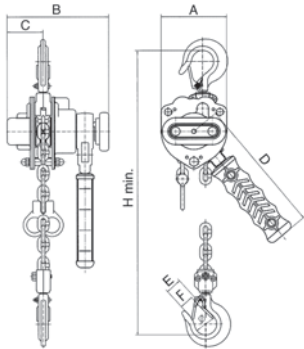
Features:

- Lightweight, robust construction
- Powder coated aluminum
- Fully-enclosed gear train
- Minimum effort to lift W.L.L.

Net Weight: 5 lbs.



- Galvanized alloy load chain
- Minimum headroom
- Spare parts available
- Comes with carrying bag



Model		OMLB025NG
W.L.L.	lbs	500 (lbs)
Lift	ft	5 (ft)
Headroom (hook to hook) H min.	in	8.39 (in)
Effort to lift full load	lbs	28.66 (lbs)
No. of load chain fall line		1
Load chain (dia. x pitch)	mm	Ø4x12 (mm)
	A	2.95 (in)
	B	4.52 (in)
Dimensions (in)	C	1.61 (in)
	D	6.14 (in)
	E	.70 (in)
	F	.60 (in)
Net weight	lbs	5 (lbs)

Dimensions are for reference only and subject to change without notice.

Standards:
CE
AS1418.2

*Non-overload



FREE CARRYING BAG

Individually Tested Test Certificate - Included -

OZ MECHANICAL CHAIN HOIST

Capacity: 500 lbs.

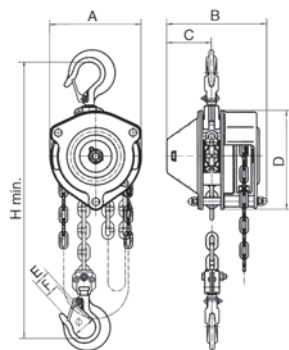
Features:

- Lightweight, robust construction
- Powder coated steel
- Fully-enclosed gear train
- Minimum effort to lift W.L.L.
- Spare parts available

Net Weight: 9 lbs.



- Galvanized alloy hand and load chain
- Minimum headroom
- Thrust race in lower hook



Model		OMCB025NG
W.L.L.	lbs	500 (lbs)
Lift	ft	10 (ft)
Headroom (hook to hook) H min.	in	8.98 (in)
Effort to lift full load	lbs	26.45 (lbs)
No. of load chain fall line		1
Load chain (dia. x pitch)	mm	Ø4x12 (mm)
	A	3.9 (in)
	B	4.29 (in)
Dimensions (in)	C	1.89 (in)
	D	4.25 (in)
	E	.70 (in)
	F	.60 (in)
Net weight	lbs	9 (lbs)

Dimensions are for reference only and subject to change without notice.

Standards:
CE
AS1418.2

*Non-overload

Individually Tested Test Certificate - Included -



P.O. Box 845 Winona, MN 55987 • Tf: (800) 749-1064
Ph:(507) 474-6250 | Fx: (507) 452-5217 | Tech Support: (507) 457-3346
sales@ozliftingproducts.com | www.ozliftingproducts.com



440 POUND RATED LOAD OVERLOAD PROTECTED

The OZ440EC is a new advanced electric chain hoist. Ultra lightweight (18 lbs.), compact and powerful, the OZ440EC is easy to install and operate.

The OZ440EC comes with a carrying case making it easy to move between jobs. Just plug into a 110 outlet and it's ready to be put to work.



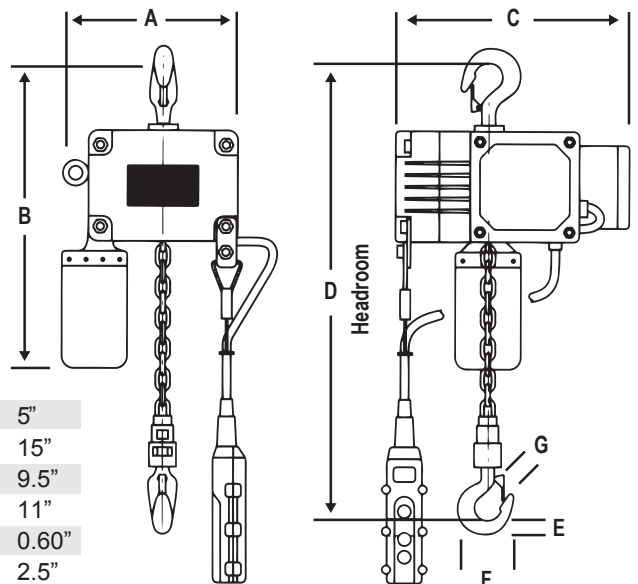
**Pendant 15'
Power cord 15'
Lift 20'**
***Custom lifts available**

Product Specifications

Model	OZ440EC
Voltage	115 / 1 / 60
Capacity	440 lbs.
Speed	12.5 FPM
Chain	4mm X6M
Duty Cycle	15 minutes per 1 hour
Net Weight	18 lbs.

1000 & 2000 LB. CAPACITY COMING SOON!

Product Measurements



- A 5"
- B 15"
- C 9.5"
- D 11"
- E 0.60"
- F 2.5"
- G 0.75"

Dimensions are for reference only and subject to change without notice.



**Individually Tested
Test Certificate
- Included -**

ELECTRIC BUILDER'S HOIST

Individually Tested
Test Certificate
- Included -



OBH500NG

Quick release
pendant and
power cord



OBH1000NG

Quick release
pendant and
power cord

The OZ Builder's Hoist is designed for use on commercial building sites and in various construction workplaces, warehouses, storage facilities, and factories.

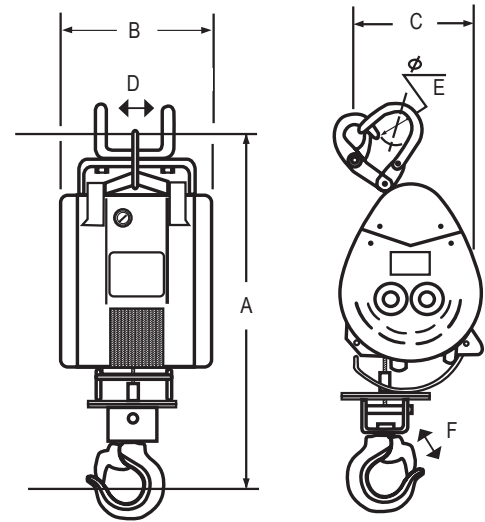
Product Features

- Lightweight and compact design for convenient mounting
- Automatic shut-off when rope reaches limit arm
- Sensor arm for motor shut-off to prevent reverse winding
- Standard 115V power source-compatible
- Plug-in cords for ease of use
- 360-degree hook rotation with safety latch
- Built-in safety features and easy control of lifting for a wide range of applications

MODEL OBH500NG

Lifting Capacity (Full Drum): 500 lbs
 Motor Voltage: 115/1/60
 Speed: 75 fpm
 Lifting Height: 90 ft
 Wire Rope: 3/16 in
 Winch Weight: 48 lbs
 Gross Weight: 54 lbs
 Power cord length: 15 ft
 Pendant length: 65 ft (Custom lengths available)
 Full Load AMPS: 17.5
 Duty Cycle: 15 minutes use per 1 hour

Dimensions - Model OBH500NG		
A	Height	26.77 in.
B	Width	9.50 in.
C	Depth	7.88 in.
D	Hanger Width	4.50 in.
E	Hanger Opening	2 in.
F	Hook Opening	1.62 in.

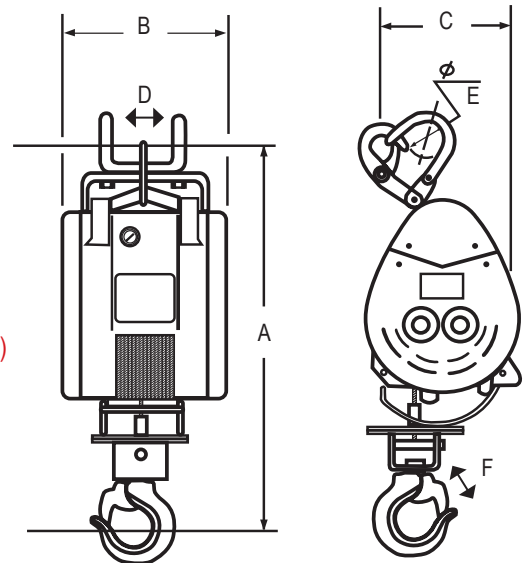


Dimensions are for reference only and subject to change without notice.

MODEL OBH1000NG

Lifting Capacity (Full Drum): 1000 lbs
 Motor Voltage: 115/1/60
 Speed: 37 fpm
 Lifting Height: 90 ft
 Wire Rope: 1/4 in
 Winch Weight: 69 lbs
 Gross Weight: 73 lbs
 Power cord length: 15 ft
 Pendant length: 23 ft (Custom lengths available)
 Full Load AMPS: 15.5
 Duty Cycle: 15 minutes use per 1 hour

Dimensions - Model OBH1000NG		
A	Height	28.50 in.
B	Width	10.50 in.
C	Depth	12 in.
D	Hanger Width	4.50 in.
E	Hanger Opening	2 in.
F	Hook Opening	1.50 in.



Dimensions are for reference only and subject to change without notice.

MOUNTING ARM BRACKET



FEATURES:

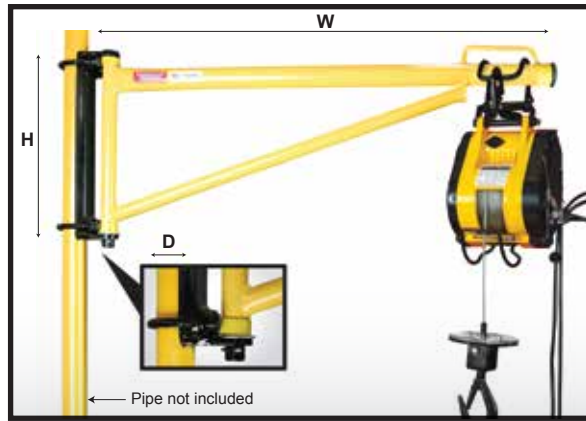
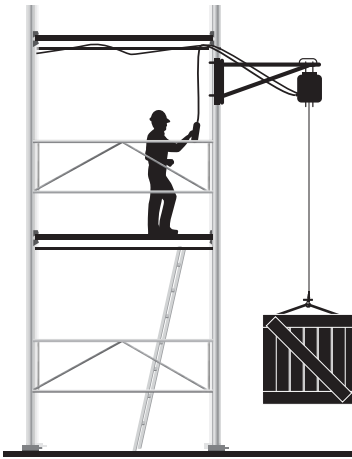
Powder Coated, Portable, Solid Mounting Bracket, Quick Mount, Light Weight.



SPECIFICATION

Model#	OBH230
Width (W)	40 1/2 inches
Height (H)	17 3/4 inches
Mounting Pipe (D)	2 inches
Capacity	1000 pounds
Net Weight	38 pounds

Dimensions are for reference only and subject to change without notice.



OTHER MOUNTING AND LIFTING SOLUTIONS



OBH w/Optional Hanger Trolley

OZ05PBTA-OBH
Trolley w/OBH Hanger
See pg. 16 for more information.



HOIST BUCKET
Contact us for more information.



OBH w/Optional Hoist Bucket

BEAM CLAMP

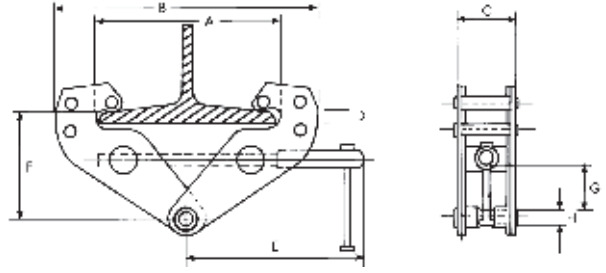


**Test Certificate
- Included -**

Standards:
CE
Complies with portions
of ASME 30.16

FEATURES

- Robust, all-steel construction
- Super-quick adjustment to most I-Beams (see measurements below)
- Durable baked-enamel paint protection
- Stainless steel ID tag
- Individual test certificate and serial number



SPECIFICATIONS (1, 2, 3, 5 and 10 tons)

Product Code	OZ1BC	OZ2BC	OZ3BC	OZ5BC	OZ10BC
Safe Working Load (lbs)	2,000 (lbs)	4,000 (lbs)	6,000 (lbs)	10,000 (lbs)	20,000 (lbs)
A	2.95-9.05 (in)	2.95-9.05 (in)	3.15-12.60 (in)	3.54-12.60 (in)	3.54-12.60 (in)
B	14.96 (in) max.	14.96 (in) max.	18.50 (in) max.	19.68 (in) max.	20.47 (in) max.
C	2.51 (in)	2.91 (in)	3.94 (in)	4.41 (in)	4.72 (in)
D	.90 (in)	.90 (in)	1.57 (in)	1.57 (in)	1.60 (in)
E	9.13 (in)	9.13 (in)	10.63 (in)	10.90 (in)	11.22 (in)
F	3.54-5.90 (in)	3.54-5.90 (in)	5.71-8.66 (in)	5.71-8.66 (in)	6.30-9.05 (in)
G	1.02 (in)	1.02 (in)	2.63 (in)	3.50 (in)	3.87 (in)
H	.75 (in)	.87 (in)	.96 (in)	1.30 (in)	1.60 (in)
Net Weight (lbs)	9 (lbs)	11 (lbs)	21 (lbs)	25 (lbs)	35 (lbs)

Dimensions are for reference only and subject to change without notice.



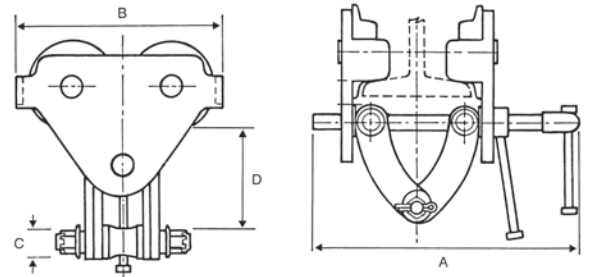
**Test Certificate
- Included -**

Standards:
CE
Complies with portions
of ASME 30.16

BEAM TROLLEY WITH CLAMP

FEATURES

- Lightweight, robust construction.
- Super-quick adjustment to most I, S, and W-Beams (see measurements below)
- Safety handle lock
- Durable baked-enamel paint protection
- Precision ball bearing trolley wheels
- Anti-drop plate
- Stainless steel ID tag
- Individual test certificate and serial number



*Wheel dimensions available on our website www.ozliftingproducts.com

SPECIFICATIONS (0.5, 1, 2, 3, 5 and 10 tons)

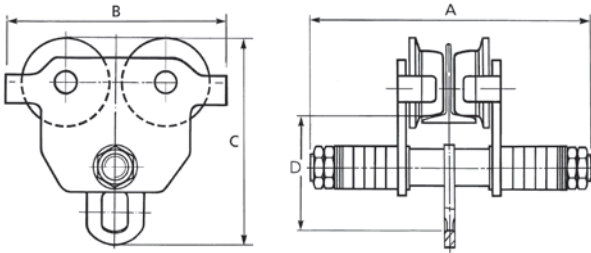
Product Code	OZ05BTC	OZ1BTC	OZ2BTC	OZ3BTC	OZ5BTC	OZ10BTC
Safe Working Load (lbs)	1,000 (lbs)	2,000 (lbs)	4,000 (lbs)	6,000 (lbs)	10,000 (lbs)	20,000 (lbs)
Adjustable Flange Width (in)	3.63-7.12	2.48-8.27 (in)	2.99-8.27 (in)	2.99-8.27 (in)	3.94-12.01 (in)	6.89-12.01 (in)
A	11.75 (in)	13.98 (in)	14.17 (in)	14.17 (in)	18.50 (in)	18.90 (in)
B	8.00 (in)	9.53 (in)	11.06 (in)	12.91 (in)	14.84 (in)	17.91 (in)
C	.75 (in)	.88 (in)	.88 (in)	.97 (in)	1.11 (in)	1.65 (in)
(min-max) D	5.87-7.12 (in)	5.75-7.22 (in)	6.06-7.22 (in)	6.35-7.97 (in)	8.81-10.61 (in)	9.00-10.51 (in)
Minimum Curve Radius (ft)	3.28 (ft)	3.28 (ft)	3.61 (ft)	4.26 (ft)	4.60 (ft)	5.57 (ft)
Net Weight (lbs)	13 (lbs)	25 (lbs)	38 (lbs)	57 (lbs)	102 (lbs)	205 (lbs)

Dimensions are for reference only and subject to change without notice.



P.O. Box 845 Winona, MN 55987 • Tf: (800) 749-1064
Ph: (507) 474-6250 | Fx: (507) 452-5217 | Tech Support: (507) 457-3346
sales@ozliftingproducts.com | www.ozliftingproducts.com

PUSH BEAM TROLLEY



*Wheel and Bail dimensions available on our website www.ozliftingproducts.com

FEATURES

- Lightweight, robust construction
- Super-quick adjustment to most I, S, and W-Beams (see measurements below)
- Durable baked-enamel paint protection
- Precision ball bearing trolley wheels
- Anti-drop plate
- Stainless steel ID tag
- Individual test certificate and serial number

**Test Certificate
- Included -**

SPECIFICATIONS (0.5, 1, 2, 3, 5 and 10 tons)

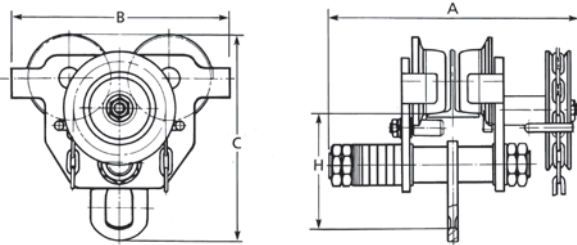
Product Code	OZ05PBT	OZ1PBT	OZ2PBT	OZ3PBT	OZ5PBT	OZ10PBT
Safe working load (lbs)	1,000 (lbs)	2,000 (lbs)	4,000 (lbs)	6,000 (lbs)	10,000 (lbs)	20,000 (lbs)
Adjustable flange width (in)	2.52-5.90 (in)	2.52-8.00 (in)	3.46-8.00 (in)	4.00-8.00 (in)	4.49-8.00 (in)	4.95-12.00 (in)
Product dimensions	A	9.75 (in)	11.75 (in)	13.19 (in)	14.31 (in)	15.07 (in)
	B	8.50 (in)	9.45 (in)	11.81 (in)	13.58 (in)	15.55 (in)
	C	7.67 (in)	8.41 (in)	11.26 (in)	13.23 (in)	15.47 (in)
	D	4.33 (in)	4.90 (in)	6.34 (in)	7.28 (in)	8.66 (in)
Minimum radius curve (ft)	2.95 (ft)	3.28 (ft)	3.60 (ft)	4.26 (ft)	4.59 (ft)	5.57 (ft)
Net weight (lbs)	20 (lbs)	22 (lbs)	50 (lbs)	82 (lbs)	123 (lbs)	198 (lbs)

Dimensions are for reference only and subject to change without notice.



**Standards:
CE**
Complies with portions
of ASME 30.16

GEARED BEAM TROLLEY



*Wheel and Bail dimensions available on our website www.ozliftingproducts.com

FEATURES

- Lightweight robust construction.
- Super-quick adjustment to most I, S, and W-Beams (see measurements below)
- Durable baked-enamel paint protection
- Precision ball bearing trolley wheels
- Gearing provides positive load positioning along the beam
- Individual test certificate and serial number
- Anti-drop plate
- Stainless steel ID tag

**Test Certificate
- Included -**

SPECIFICATIONS (1, 2, 3, 5, 10, 20, and 30 Ton)

Product Code	OZ1GBT	OZ2GBT	OZ3GBT	OZ5GBT	OZ10GBT	OZ20GBT	OZ30GBT
Safe working load (lbs)	2,000 (lbs)	4,000 (lbs)	6,000 (lbs)	10,000 (lbs)	20,000 (lbs)	40,000 (lbs)	60,000 (lbs)
Adjustable flange width (in)	2.57-8.00 (in)	3.46-8.00 (in)	4.01-8.00 (in)	4.49-8.00 (in)	4.92-8.00 (in)	8.27-13.00 (in)	**
Product dimensions (in)	A	14.96 (in)	15.20 (in)	17.69 (in)	18.25 (in)	18.75 (in)	25.48 (in)
	B	9.44 (in)	10.63 (in)	13.58 (in)	15.55 (in)	17.91 (in)	25.28 (in)
	C	8.40 (in)	10.28 (in)	13.23 (in)	15.47 (in)	19.68 (in)	24.49 (in)
	D	4.90 (in)	6.08 (in)	7.28 (in)	8.66 (in)	11.02 (in)	12.29 (in)
Minimum radius curve (ft)	3.28 (ft)	4.26 (ft)	4.26 (ft)	4.59 (ft)	5.57 (ft)	14.76 (ft)	14.76 (ft)
Net weight (lbs)	32 (lbs)	46 (lbs)	95 (lbs)	136 (lbs)	234 (lbs)	565 (lbs)	573 (lbs)
* Std. length of hand chain (ft)	9 (ft)	9 (ft)	9 (ft)	9 (ft)	9 (ft)	9 (ft)	9 (ft)

Dimensions are for reference only and subject to change without notice.

* Longer hand chain lengths available. Please contact the factory. ** Available in 50 Tons. Please contact factory for specifications.



**Standards:
CE**
Complies with portions
of ASME 30.16

CARBON STEEL & STAINLESS STEEL BRAKE WINCHES

Features:

- All-steel construction
- Compact design
- Ergonomic handle
- Multiple frame mounting positions
- Fully-enclosed gearing
- Solid machined gears
- Automatic weatherproof Weston Brake
- Dual cable anchor point
- Rubber handle
- High gear ratio
- Individual test certificate & serial number



Safety yellow powder coating provides a long lasting-finish.

Test Certificate - Included -

Standards:
CE

Performance Characteristics:

Model	Wire rope dia.	1st layer	Mid drum	Full drum
OZ1000BW - OZ1000BWSS	1/8"	7 ft.	74 ft.	140 ft.
OZ1000BW - OZ1000BWSS	3/16"	5 ft.	34 ft.	75 ft.
OZ1500BW - OZ1500BWSS	3/16"	7 ft.	66 ft.	140 ft.
OZ1500BW - OZ1500BWSS	1/4"	5 ft.	27 ft.	89 ft.
OZ2000BW - OZ2000BWSS	1/4"	8 ft.	36 ft.	85 ft.
OZ2000BW - OZ2000BWSS	5/16"	7 ft.	22 ft.	52 ft.

Load rating				
OZ1000BW - OZ1000BWSS		1000 lbs.	750 lbs.	500 lbs.
OZ1500BW - OZ1500BWSS		1500 lbs.	1250 lbs.	750 lbs.
OZ2000BW - OZ2000BWSS		2000 lbs.	1500 lbs.	1000 lbs.

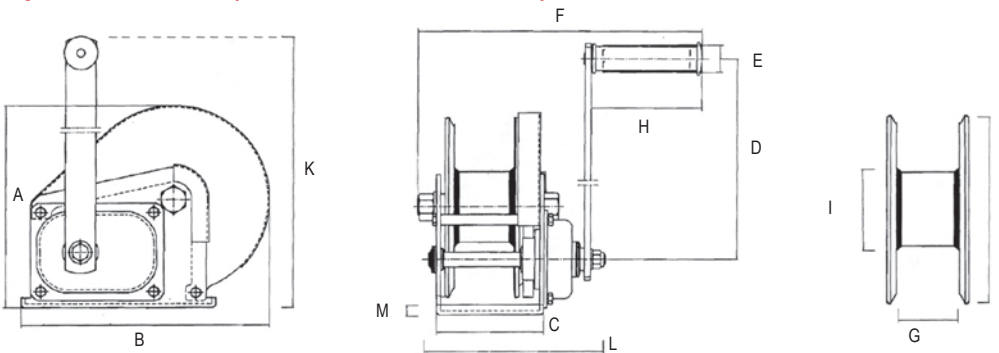


Type 304 stainless steel ideal for harsh environments where corrosion resistance is important.

Test Certificate - Included -

Standards:
CE

Specifications: (1000, 1500, 2000 lbs.)



Model		OZ1000BW - OZ1000BWSS	OZ1500BW - OZ1500BWSS	OZ2000BW - OZ2000BWSS
Safe Working Load (lbs.)		1000 lbs.	1500 lbs.	2000 lbs.
Gear Ratio		4.2:1	5:1	10:1
Dimensions (in.)	A	6.22"	7.73"	8.35"
	B	7.20"	9.36"	11.10"
	C	3.46"	4.21"	5.00"
	D	8.26"	12.68"	12.99"
	E	1.06"	1.06"	1.06"
	F	10.43"	10.63"	11.81"
	G	1.98"	2.30"	2.52"
	H	4.29"	4.29"	4.29"
	I	1.90" BW - 1.60" BWSS	2.38"	3.00"
	J	5.33"	7.00"	7.09"
	K	10.20"	15.31"	15.35"
	L	5.98"	6.89"	7.87"
	M	0.12"	0.14"	0.16"
Net Weight (lbs.)		8.15 lbs.	16.97 lbs.	22.06 lbs.

Dimensions are for reference only and subject to change without notice.

Bolt hole pattern available on our website.



P.O. Box 845 Winona, MN 55987 • Tf: (800) 749-1064
 Ph:(507) 474-6250 | Fx: (507) 452-5217 | Tech Support: (507) 457-3346
 sales@ozliftingproducts.com | www.ozliftingproducts.com

OZ PATRIOT LINE



We hear about re-shoring by many U.S. companies, there are a few good reasons for this:

For many companies, the narrowing wage gap between overseas manufacturing versus doing that work here is a major contributor to bringing back jobs to the United States. Throw 10% in shipping costs along with the rising costs of imported products and the gap begins to close. Suddenly it may be worth staying home. We feel if we keep our products here in the United States, we can lower inventory and transportation costs, get closer to our market, and better control our quality while supporting businesses across the country.

As we move forward with designing new products, we couldn't think of a better name than the Patriot Line in honor of those who have made it possible for us to grow our company in such a great country. OZ Lifting donates a portion of all sales of our Patriot Line to the Comfort Warrior Project. Please visit their website to learn more about this worthy cause. www.legion.org/operationcomfortwarriors

With the Patriot Line we want to be innovators, not imitators. We will expand the Patriot Line with some good, old fashioned fair pricing and quality, all while continuing to sell what we feel is the highest quality import on the market. We appreciate all your past and future support.

OZ PUSH BEAM TROLLEY



The push beam trolley by OZ Lifting Products sets a new standard for ease of use and durability. An innovative width adjustment system makes this trolley one of the fastest and easiest to install in the industry. A universal wheel tread pattern allows the trolley to be used on most I, S, and W-beams. We use steel construction with premium double sealed ball bearings to assure long life and trouble free service. Each of these trolleys is finished in a durable zinc finish and meets or exceeds the applicable ANSI standards.

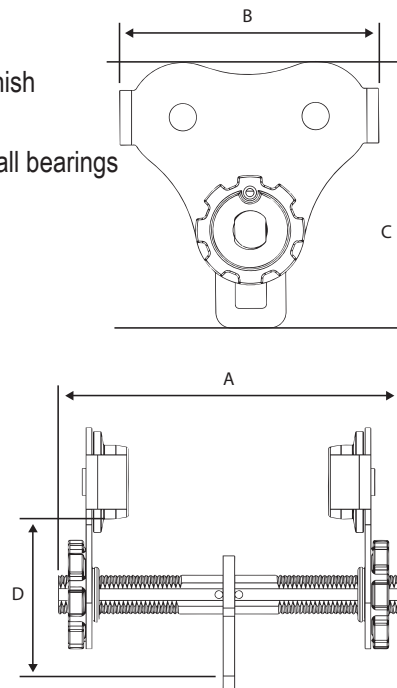
FEATURES

- Fast and easy width adjustments
- Built in width adjustment indicator
- Fits most I, S, and W-Beams
- Glow in the dark adjustment stickers
- Corrosion resistant zinc finish
- Anti-Drop Plates
- Premium double-sealed ball bearings

SPECIFICATION

Part Number	OZ05PBTA	OZ1PBTA
Safe Working Load	1,000 lbs	2,000 lbs
Adjustable Flange Width	2.75" – 8.00"	2.75" – 8.00"
A	11"	11"
B	8.3"	10.2"
C	8.5"	9.8"
D	5"	5.5"
Net Weight	16 lbs	26 lbs

Dimensions are for reference only and subject to change without notice.

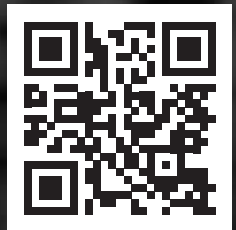


PATENT PENDING

Standards:
ANSI

Test Certificate - Included -

VIDEO:
FEATURES



Or visit ozliftingproducts.com

4000 LBS. & 6000 LBS. CAPACITIES COMING SOON!



0.5 TON and 1 TON

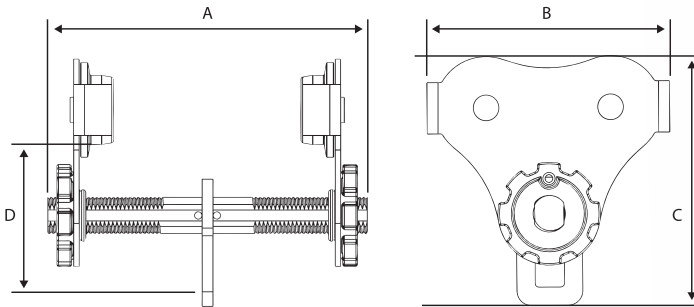
400 lbs. combined user and tools fall protection

This product meets or exceeds OSHA 1926 Subpart M, OSHA 1910, ANSI Z359.1-2007, and ANSI A10.32-2012 standards for fall protection.



The **Push Beam Trolley Fall Protection Series** by OZ Lifting Products, LLC sets a new standard for ease of use and durability. An innovative width adjustment system makes this trolley one of the fastest and easiest to install in the industry. A universal wheel tread pattern allows the trolley to be used on most I, S, and W-beams. We use steel construction with premium double sealed ball bearings to assure long life and trouble free service.

Product Specifications



	OZ05PBTA-MR	OZ1PBTA-MR
Material Handling Load	1,000 lbs.	2,000 lbs.
Fall Protection*	400 lbs.	400 lbs.
Adjustable Flange Width	2.75" - 8.00"	2.75" - 8.00"
Minimum Radius Curve	2.75 ft.	3.35 ft.
A	11"	11"
B	8.3"	10.2"
C	8.5"	9.8"
D	5"	5.5"
Net Weight	16 lbs.	26 lbs.

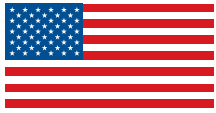
*User and tools combined.

Dimensions are for reference only and subject to change without notice.



Features and benefits

- Fast and easy width adjustments
- Built-in width adjustment indicator
- Universal wheel tread fits most I, S, and W-Beams
- Premium double-sealed ball bearings
- ROHS compliant zinc plated finish
- Anti-drop plates
- Glow in the dark decals
- Ships fully assembled
- Made in USA



MADE IN U.S.A.



OZ1BCA



OZ2BCA



OZ3BCA



OZ5BCA



OZ10BCA

Standards:
ASME

Test Certificate
- Included -

OZ LIFTING BEAM CLAMPS

These beam clamps feature a fully-welded box construction and use no press fit pins. We also completely weld the support plates at the main load pin to the heavy-duty side plates, providing exceptional rigidity and strength. EPA-compliant zinc plating also adds increased corrosion resistance.

1 TON THROUGH 10 TON

These Beam Clamps meet or exceed ASME standards

(For use with manual or powered hoists)

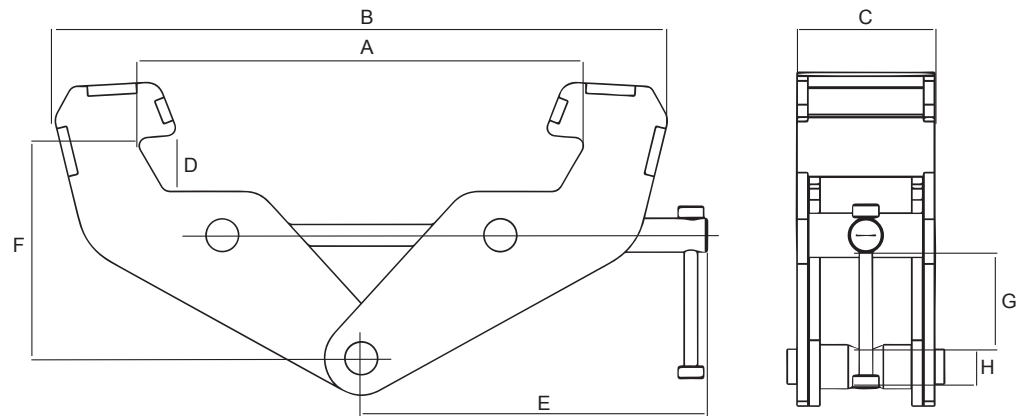
FEATURES

- Robust, all-steel, fully-welded construction
- Super-quick adjustment to most I-Beams
- ROHS Compliant Zinc Plated Finish
- Permanent engraved load rating

VIDEO:
BEAM CLAMP FEATURES



Or visit: ozliftingproducts.com



Product Specifications

	OZ1BCA	OZ2BCA	OZ3BCA	OZ5BCA	OZ10BCA
Safe Working Load	2,000 lbs.	4,000 lbs.	6,000 lbs.	10,000 lbs.	20,000 lbs.
A	3" - 9"	3" - 9"	3.5" - 13"	3.5" - 13"	3.5" - 13"
B	14.75"	14.75"	20.5"	20.5"	22"
C	2.51"	2.91"	3.94"	4.41"	4.72"
D	0.9"	0.9"	1.5"	1.5"	1.5"
E	9.5"	9.5"	11"	11"	11.5"
F	4.75" - 5.75"	4.75" - 5.75"	7.5" - 9"	7.5" - 9"	5.5" - 9.375"
G	1.75"	1.75"	2.5"	2.5"	4"
H	.75"	.875"	.975"	1.125"	1.625"
Net Weight	9 lbs.	11 lbs.	22 lbs.	26 lbs.	39 lbs.

Dimensions are for reference only and subject to change without notice.

P.O. Box 845 Winona, MN 55987 • Tf: (800) 749-1064
Ph:(507) 474-6250 | Fx: (507) 452-5217 | Tech Support: (507) 457-3346
sales@ozliftingproducts.com | www.ozliftingproducts.com





1 TON THROUGH 10 TON

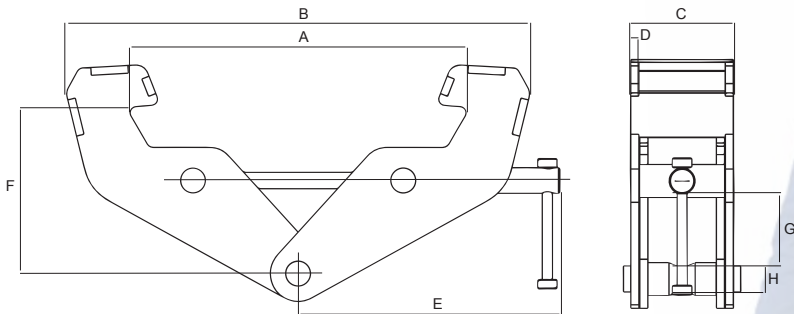
400 lbs. combined user and tools fall protection

This product meets or exceeds OSHA 1926 Subpart M, OSHA 1910.140 ANSI Z359.1, and ANSI A10.32-2012 standards for fall protection.



Our **Fall Protection Series beam clamps** feature a fully-welded box construction and uses no press fit pins. We also completely weld the support plates at the main load pin to the heavy-duty side plates, providing exceptional rigidity and strength. ROHS-compliant zinc plating also adds increased corrosion resistance. Super-quick adjustment to most I-Beams.

Product Specifications



Features and benefits

- Robust all-steel fully-welded construction
- Super-quick adjustment to most I-Beams
- ROHS compliant zinc plated finish
- Ships fully assembled
- Made in USA

	OZ1BCA-MR	OZ2BCA-MR	OZ3BCA-MR	OZ5BCA-MR	OZ10BCA-MR
Material Handling Load	2,000 lbs.	4,000 lbs.	6,000 lbs.	10,000 lbs.	20,000 lbs.
Fall Protection*	400 lbs.	400 lbs.	400 lbs.	400 lbs.	400 lbs.
A	3" - 8"	3" - 8"	3.5" - 13"	3.5" - 13"	3.5" - 13"
B	14.75"	14.75"	20.5"	20.5"	22"
C	2.51"	2.91"	3.94"	4.41"	4.72"
D	0.9"	0.9"	1.5"	1.5"	1.6"
E	9.5"	9.5"	11"	11"	11.5"
F	4.75" - 5.75"	4.75" - 5.75"	7.5" - 9"	7.5" - 9"	5.5" - 9.375"
G	1.75"	1.75"	2.5"	2.5"	4"
H	.75"	.875"	.975"	1.125"	1.625"
Net Weight	9 lbs.	11 lbs.	22 lbs.	26 lbs.	39 lbs.

*User and tools combined.

Dimensions are for reference only and subject to change without notice.



AC & DC ELECTRIC WINCH

Individually Tested
Test Certificate
- Included -



Features:

- Two-braking system mechanical and dynamic
- Easy bolt on winch to OZ davit cranes
- Pendant and power cord included
- Machine cut and hardened gears
- Quick connection to davit
- Fully-enclosed gearing
- Emergency handle
- Overload protection
- Lightweight
- CE rated



DC winch has electrical quick connect pendant and power cord Equipped with a circuit breaker

VIDEO:
ELECTRIC WINCH
FEATURES



Or visit:
ozliftingproducts.com

Capacity:

OZACW (110V AC): 1200 lbs.
OZDCW (12V DC): 1200 lbs.

*Custom Overload Settings Available.

Duty cycle:

3 minutes continuous use /
15 minute cool down

*Galvanized and stainless steel
cable assemblies sold separately.

Pendant and Power Cord Length:

12V DC: 10' Pendant / 25' Power Cord
110V AC: 10' Pendant / 10' Power Cord

Drum Capacity:

3/16" diameter cable=90'
1/4" diameter cable=45'

Load capacity based on the amount of cable

	3/16" cable	1/4" cable
1st layer	800 lbs.	1200 lbs.
Half-full	800 lbs.	1120 lbs.
Full	800 lbs.	850 lbs.

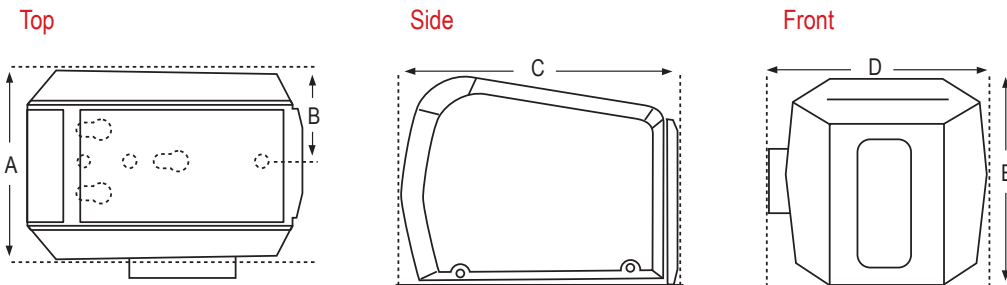
Winch speed based on load and cable on the drum

	1st Layer	Full
AC, No Load	23'/min.	35'/min.
AC, Full Load	12'/min.	16'/min.
DC, No Load	21'/min.	33'/min.
DC, Full Load	5.5'/min.	8'/min.

Compatibility with OZ Davit Cranes:

For use with DAVIT 1000 BY OZ (OZ1000DAV) See pg. 25
For use with COMPOSITE DAVIT CRANE (OZ1200DAV) See pg.21

Specification:



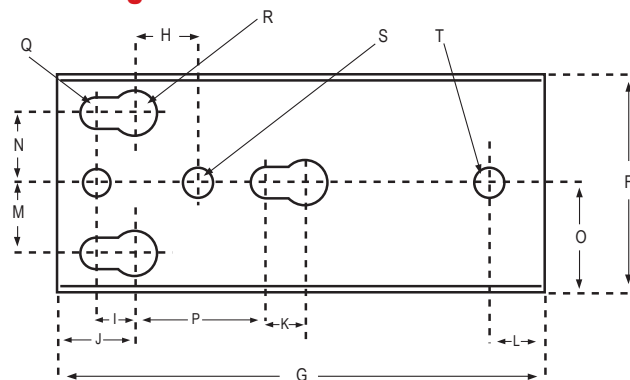
Dimensions - All Models

A	7.4375 in.
B	3.5781 in.
C	10.8125 in.
D	8.1875 in.
E	8.125 in.

Net Weight

OZACW 22 lbs. • OZDCW 24 lbs.

Mounting Plate:



Mounting Plate Dimensions - All Models

F	3.625 in.	K	.625 in.	P	3 in.
G	8.6875 in.	L	1 in.	Q	.5312 in. ø
H	1.1875 in.	M	1.25 in.	R	.7812 in. ø
I	.625 in.	N	1.25 in.	S	.4262 in. ø
J	1.375 in.	O	1.8125 in.	T	.50 in ø
					Tooling Hole

Galvanized and Stainless Steel Wire Rope

OZGAL.19-90	3/16" x 90'	Galvanized cable assembly
OZSS.19-90	3/16" x 90'	Stainless Steel cable assembly
OZGAL.25-45	1/4" x 45'	Galvanized cable assembly
OZSS.25-45	1/4" x 45'	Stainless Steel cable assembly

Dimensions are for reference only and subject to change without notice.

All cable assemblies come with swivel hook with latch. **Custom cable length available.**
3/16" - 90ft max. length • 1/4" - 45ft max. length

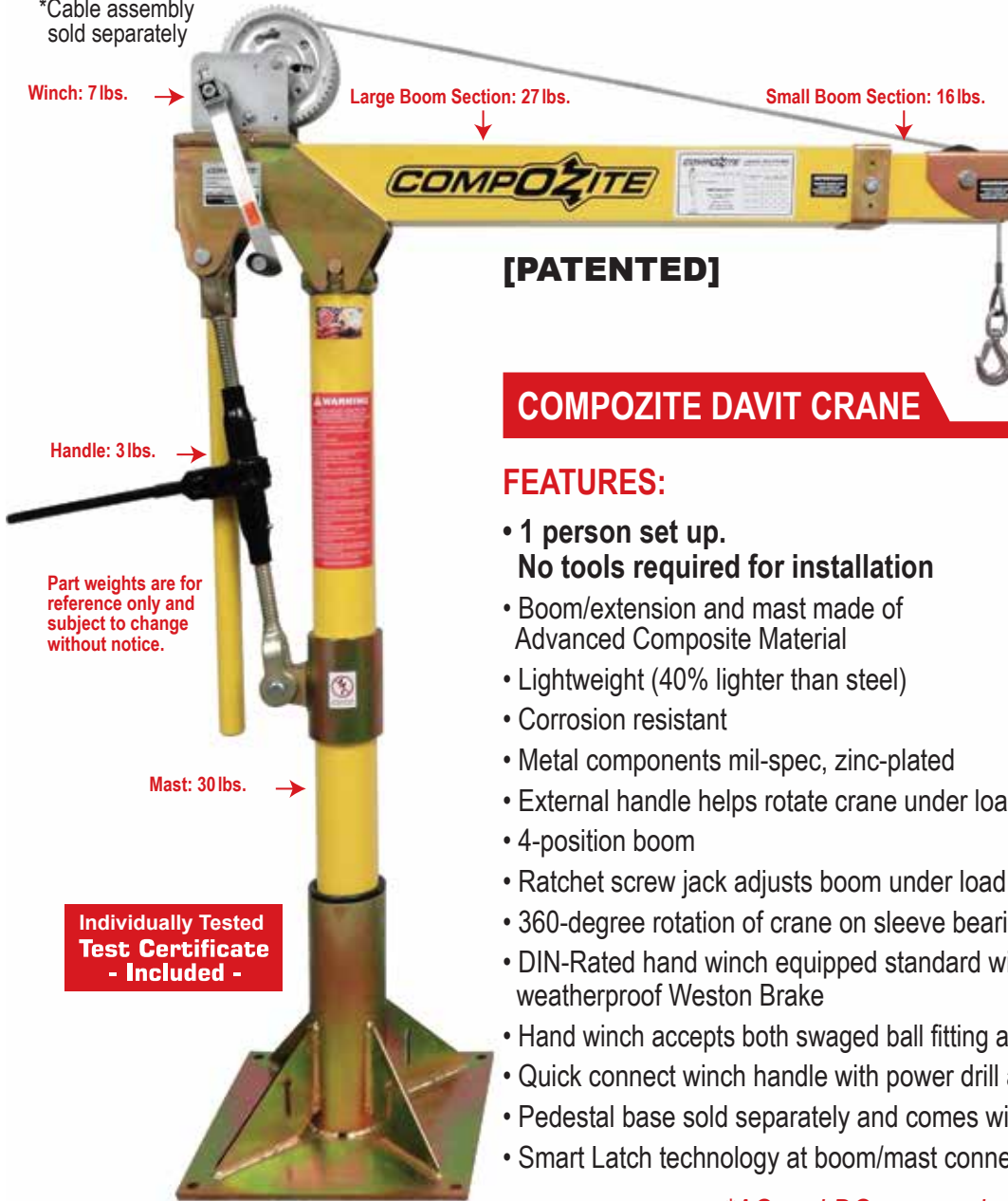
COMPOSITE

Portable and Ultra Lightweight Composite Frame Davit Crane



*Cable assembly sold separately

Winch: 7 lbs. → Large Boom Section: 27 lbs. Small Boom Section: 16 lbs.



[PATENTED]

COMPOSITE DAVIT CRANE

FEATURES:

- 1 person set up.
- No tools required for installation
- Boom/extension and mast made of Advanced Composite Material
- Lightweight (40% lighter than steel)
- Corrosion resistant
- Metal components mil-spec, zinc-plated
- External handle helps rotate crane under load
- 4-position boom
- Ratchet screw jack adjusts boom under load giving you infinite range of lift
- 360-degree rotation of crane on sleeve bearing
- DIN-Rated hand winch equipped standard with a load-holding weatherproof Weston Brake
- Hand winch accepts both swaged ball fitting and bare end cable termination points
- Quick connect winch handle with power drill adapter included
- Pedestal base sold separately and comes with mounting template
- Smart Latch technology at boom/mast connection

OZ1200DAV
1200 lbs. Capacity

IMPORTANT!

Load ratings will vary depending on:
Boom Position, Wire Rope Length,
Wire Rope Diameter.
See Load Rating Table on Pg. 23

VIDEO:
DAVIT CRANE FEATURES



Or visit:
ozliftingproducts.com

Individually Tested
Test Certificate
- Included -

*Pedestal, Socket and Wall Mount
bases sold separately



Steel Wire Rope (FOR MANUAL WINCH)

OZGAL.19-80B	3/16" x 80'	Galvanized cable assembly
OZSS.19-80B	3/16" x 80'	Stainless steel cable assembly
OZGAL.25-55B	1/4" x 55'	Galvanized cable assembly
OZSS.25-55B	1/4" x 55'	Stainless steel cable assembly

All cable assemblies come with swaged ball and swivel hook with latch. **Custom cable length available.**
3/16" - 90ft max. length • 1/4" - 45ft max. length

Steel Wire Rope (FOR MANUAL AND POWER WINCH)

OZGAL.19-90	3/16" x 90'	Galvanized cable assembly
OZSS.19-90	3/16" x 90'	Stainless Steel cable assembly
OZGAL.25-45	1/4" x 45'	Galvanized cable assembly
OZSS.25-45	1/4" x 45'	Stainless Steel cable assembly

All cable assemblies come with swivel hook with latch. **Custom cable length available.**
3/16" - 90ft max. length • 1/4" - 45ft max. length

*AC and DC power winches now available. See page 20.

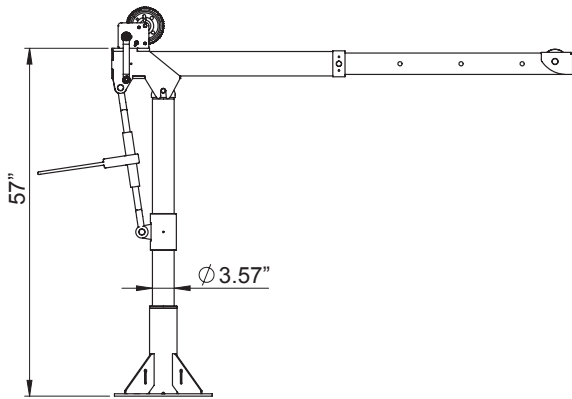
*Call for a custom base



P.O. Box 845 Winona, MN 55987 • Tf: (800) 749-1064
Ph:(507) 474-6250 | Fx: (507) 452-5217 | Tech Support: (507) 457-3346
sales@ozliftingproducts.com | www.ozliftingproducts.com

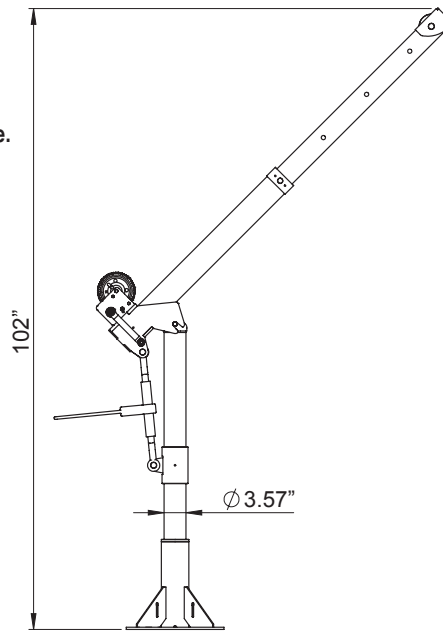
SPECIFICATIONS
OZ1200DAV WITH PEDESTAL BASE

Dimensions are for reference only and subject to change without notice.



Pedestal Base Boom Position A:

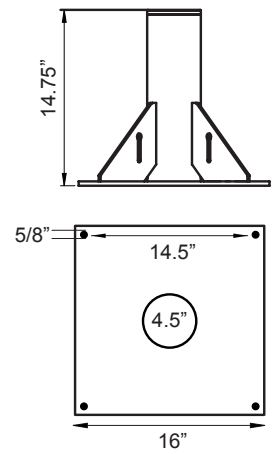
- Boom Position 1: Height 50" Reach 36"
- Boom Position 2: Height 50" Reach 46"
- Boom Position 3: Height 50" Reach 56"
- Boom Position 4: Height 50" Reach 66"



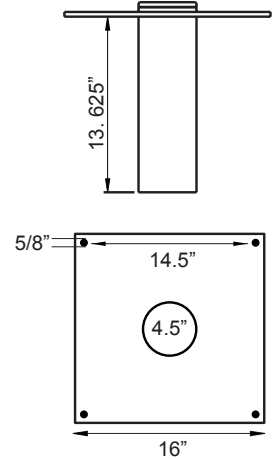
Pedestal Base Boom Position B:

- Boom Position 1: Height 74" Reach 22"
- Boom Position 2: Height 81" Reach 29"
- Boom Position 3: Height 88" Reach 36"
- Boom Position 4: Height 95" Reach 43"

OZPED1

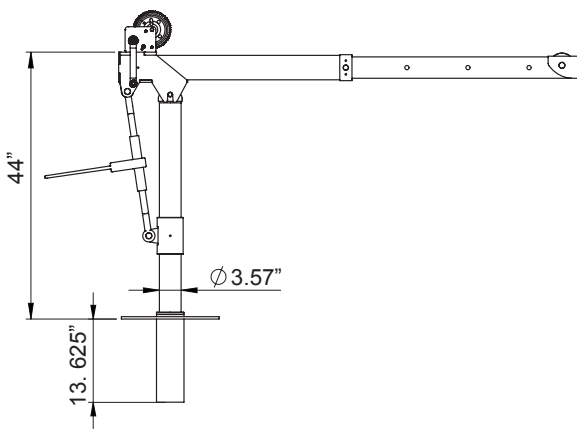


OZSOC1



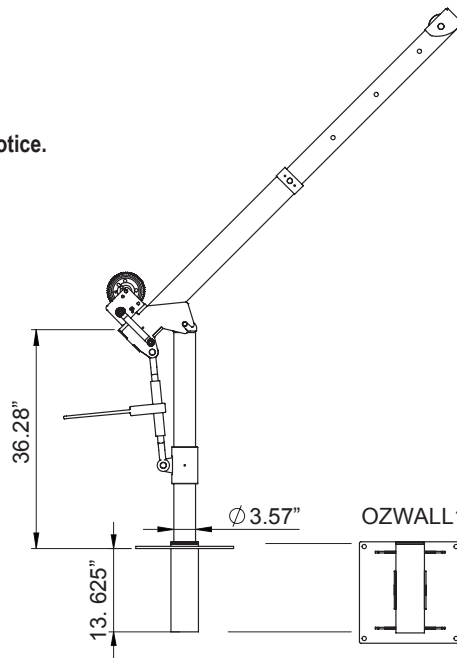
SPECIFICATIONS
OZ1200DAV WITH SOCKET BASE

Dimensions are for reference only and subject to change without notice.



Socket Base Boom Position A:

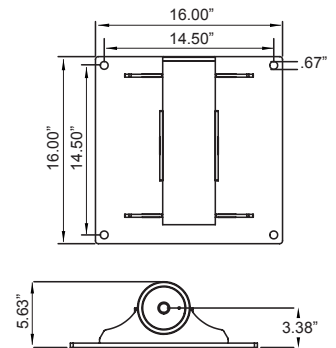
- Boom Position 1: Height 37" Reach 36"
- Boom Position 2: Height 37" Reach 46"
- Boom Position 3: Height 37" Reach 56"
- Boom Position 4: Height 37" Reach 66"



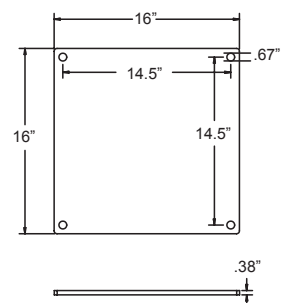
Socket Base Boom Position B:

- Boom Position 1: Height 61" Reach 22"
- Boom Position 2: Height 68" Reach 29"
- Boom Position 3: Height 75" Reach 36"
- Boom Position 4: Height 82" Reach 43"

OZWALL1



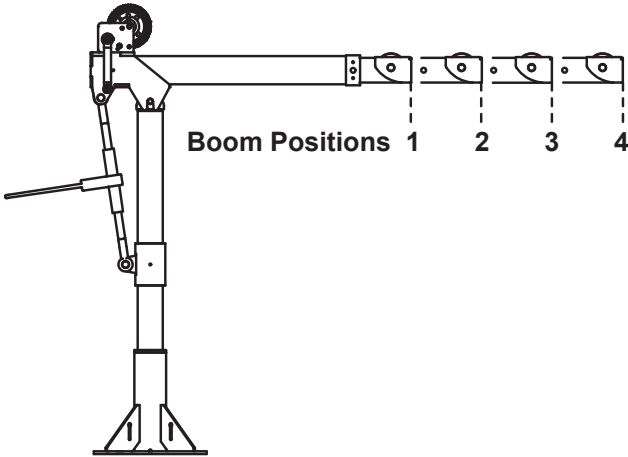
OZBACK1



LOAD RATINGS

OZ1200DAV

*Table based on 1/4 inch wire rope. 3/16" cable will be lower.




Load Ratings (lbs.)	1st. Layer	Mid Drum	Full Drum
Boom Position 1	1200 lbs.	875 lbs.	550 lbs.
Boom Position 2	900 lbs.	875 lbs.	550 lbs.
Boom Position 3	700 lbs.	700 lbs.	550 lbs.
Boom Position 4	400 lbs.	400 lbs.	400 lbs.

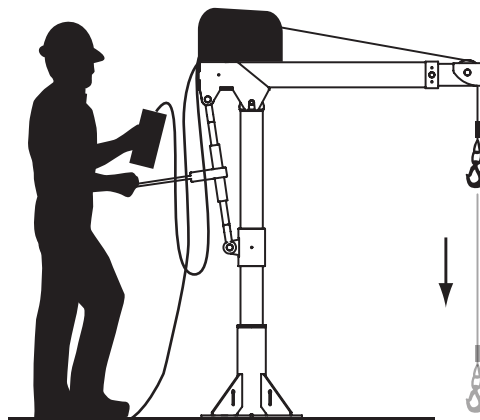
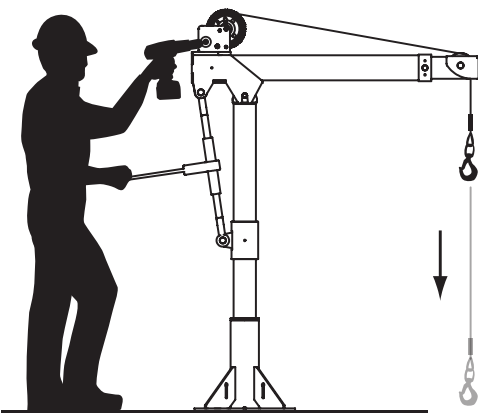
3/16" Cable	Boom Position 1	Boom Position 2	Boom Position 3	Boom Position 4
6 ft.	800 lbs.	800 lbs.	700 lbs.	400 lbs.
14 ft.	800 lbs.	800 lbs.	700 lbs.	400 lbs.
22 ft.	800 lbs.	800 lbs.	700 lbs.	400 lbs.
31 ft.	800 lbs.	800 lbs.	700 lbs.	400 lbs.
41 ft.	775 lbs.	775 lbs.	700 lbs.	400 lbs.
52 ft.	725 lbs.	725 lbs.	700 lbs.	400 lbs.
64 ft.	650 lbs.	650 lbs.	650 lbs.	400 lbs.
77 ft.	625 lbs.	625 lbs.	625 lbs.	400 lbs.
90 ft.	550 lbs.	550 lbs.	550 lbs.	400 lbs.

1/4" Cable	Boom Position 1	Boom Position 2	Boom Position 3	Boom Position 4
4 ft.	1200 lbs.	900 lbs.	700 lbs.	400 lbs.
9 ft.	1025 lbs.	900 lbs.	700 lbs.	400 lbs.
14 ft.	875 lbs.	875 lbs.	700 lbs.	400 lbs.
20 ft.	775 lbs.	775 lbs.	700 lbs.	400 lbs.
27 ft.	700 lbs.	700 lbs.	700 lbs.	400 lbs.
35 ft.	625 lbs.	625 lbs.	625 lbs.	400 lbs.
43 ft.	575 lbs.	575 lbs.	575 lbs.	400 lbs.
50 ft.	550 lbs.	550 lbs.	550 lbs.	400 lbs.

OPTIONS FOR FASTER LOWERING AND RAISING

 Detach winch handle for drill option.

AC and DC power winches now available. See page 20. (OZACW, OZDCW)

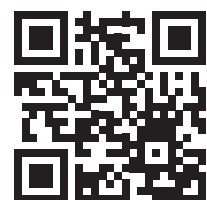


VIDEO:
DAVIT CRANE ASSEMBLY



Or visit: ozliftingproducts.com

VIDEO:
DAVIT CRANE TEST PROCEDURES



Or visit: ozliftingproducts.com

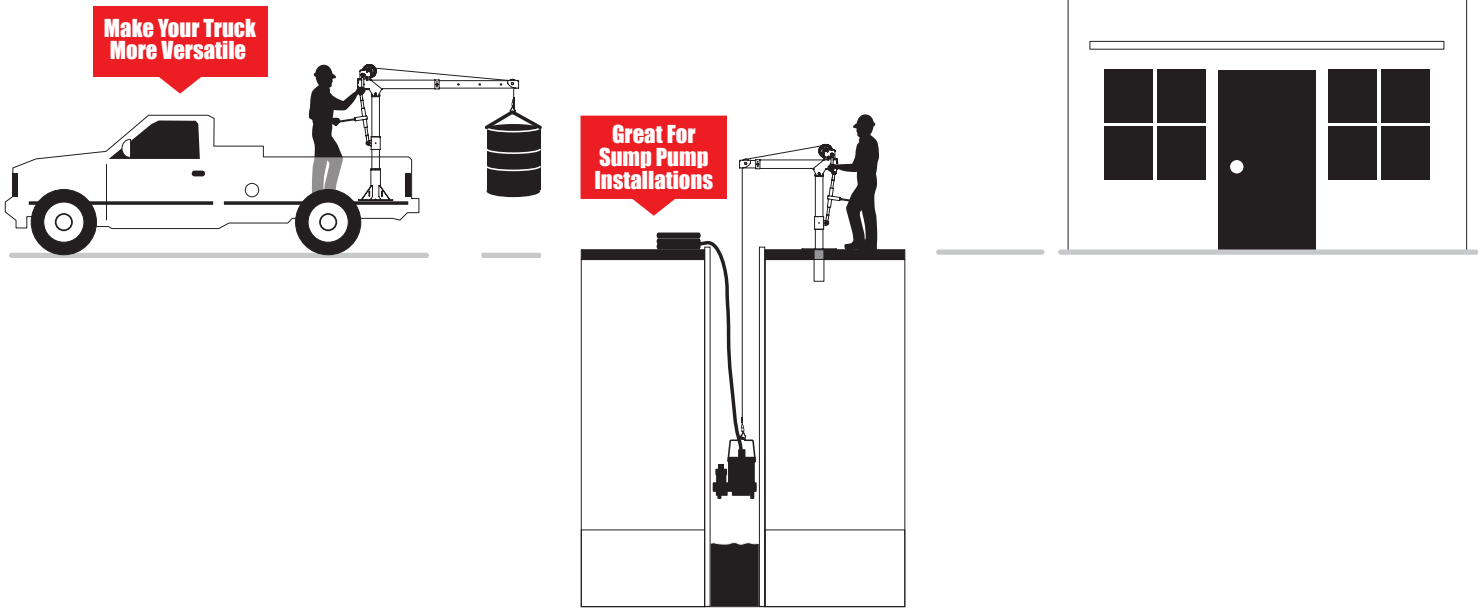


P.O. Box 845 Winona, MN 55987 • Tl: (800) 749-1064
Ph: (507) 474-6250 | Fx: (507) 452-5217 | Tech Support: (507) 457-3346
sales@ozliftingproducts.com | www.ozliftingproducts.com

OZ1200DAV

**Designed for use in multiple workstations.
Buy one crane and multiple bases.**

This portable and ultra lightweight davit crane can easily be transported from base to base for use at multiple workstations.

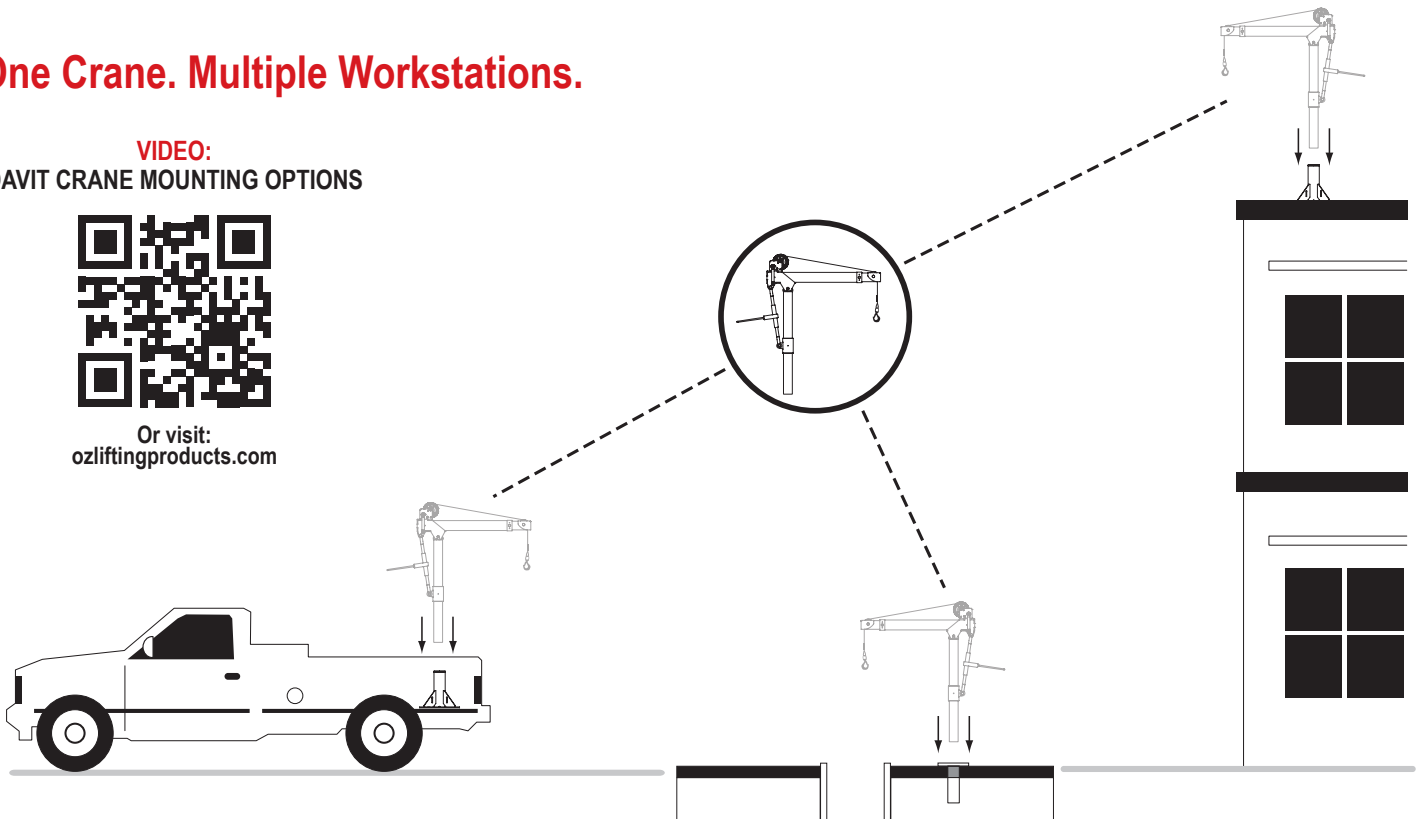


One Crane. Multiple Workstations.

VIDEO:
DAVIT CRANE MOUNTING OPTIONS



Or visit:
ozliftingproducts.com



DAVIT 1000 BY OZ



OZ1000DAV 1000 lbs. Capacity

Also Available in
500 lbs. Capacity.



Contact us for
more information.



*Cable assembly
sold separately

Individually Tested
Test Certificate
- Included -

DAVIT 1000 BY OZ

FEATURES:

- 360-degree rotation
- 4 boom height adjustments
- 1000 lb. rating
- Manual Din rated CE winch with brake. Includes power drill adaptor
- ROHS Compliant Zinc Plated Finish
- AC and DC winch option
- Individually tested and includes test certificate
- Portable
- Pedestal or socket bases (includes mounting template)

**AC and DC power winches now available.*

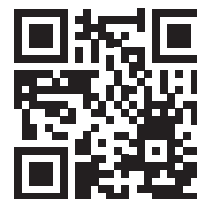
***Call for custom davit crane colors**

IMPORTANT!

Load ratings will vary depending on:
Wire Rope Length and
Wire Rope Diameter.
See Load Rating Table on Pg. 26

VIDEO:

DAVIT 1000 BY OZ FEATURES



Or visit: ozliftingproducts.com

*Pedestal, Socket, and
Wall Mount Bases sold
separately



Steel Wire Rope (FOR MANUAL WINCH)

OZGAL.19-80B	3/16" x 80'	Galvanized cable assembly
OZSS.19-80B	3/16" x 80'	Stainless steel cable assembly
OZGAL.25-55B	1/4" x 55'	Galvanized cable assembly
OZSS.25-55B	1/4" x 55'	Stainless steel cable assembly

All cable assemblies come with swaged ball and swivel hook with latch. **Custom cable length available.**
3/16" - 90ft max. length • 1/4" - 45ft max. length

***Call for a
custom base**

Steel Wire Rope (FOR MANUAL AND POWER WINCH)

OZGAL.19-90	3/16" x 90'	Galvanized cable assembly
OZSS.19-90	3/16" x 90'	Stainless Steel cable assembly
OZGAL.25-45	1/4" x 45'	Galvanized cable assembly
OZSS.25-45	1/4" x 45'	Stainless Steel cable assembly

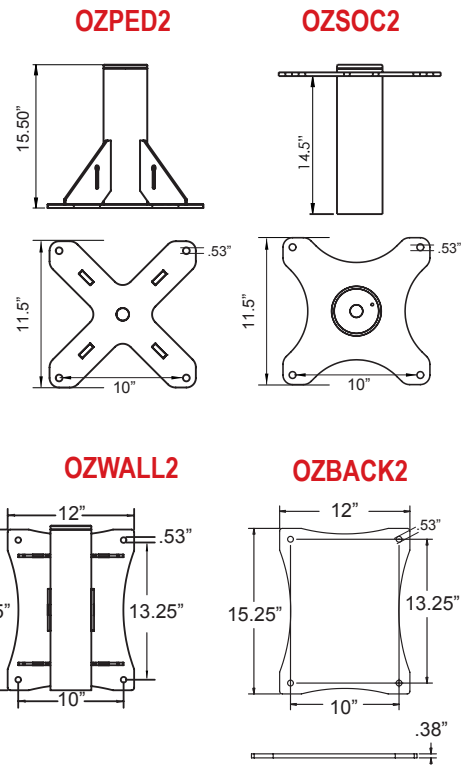
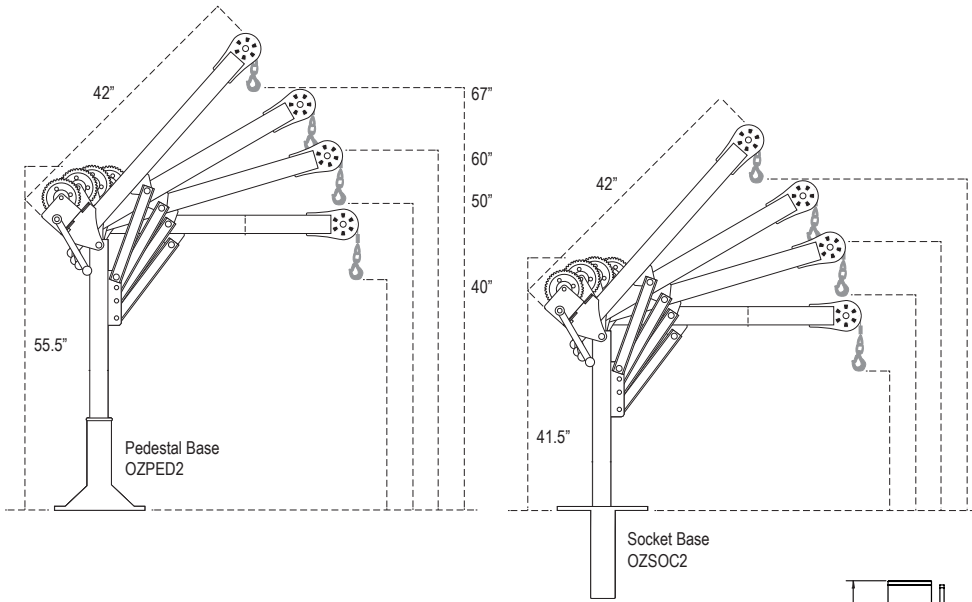
All cable assemblies come with swivel hook with latch. **Custom cable length available.**
3/16" - 90ft max. length • 1/4" - 45ft max. length



P.O. Box 845 Winona, MN 55987 • Tf: (800) 749-1064
Ph:(507) 474-6250 | Fx: (507) 452-5217 | Tech Support: (507) 457-3346
sales@ozliftingproducts.com | www.ozliftingproducts.com

SPECIFICATIONS OZ1000DAV

Dimensions are for reference only and subject to change without notice.



LOAD RATINGS OZ1000DAV

Table based on 1/4 inch wire rope. 3/16" cable will be lower.

Load Ratings (lbs.)	1st. Layer	Mid Drum	Full Drum
	1000 lbs.	875 lbs.	550 lbs.

3/16" Cable										
Lift	6 ft.	14 ft.	22 ft.	31 ft.	41 ft.	52 ft.	64 ft.	77 ft.	90 ft.	
Capacity	800 lbs.	800 lbs.	800 lbs.	800 lbs.	775 lbs.	725 lbs.	650 lbs.	650 lbs.	550 lbs.	

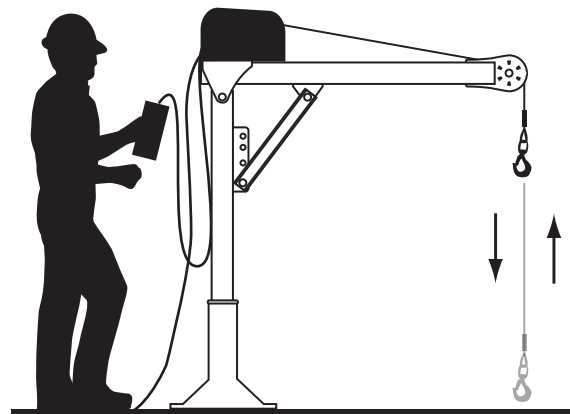
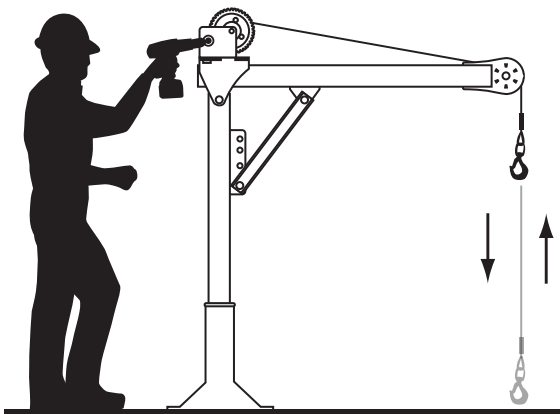
1/4" Cable										
Lift	9 ft.	14 ft.	20 ft.	27 ft.	35 ft.	43 ft.	50 ft.			
Capacity	1000 lbs.	875 lbs.	775 lbs.	700 lbs.	625 lbs.	575 lbs.	550 lbs.			

OPTIONS FOR FASTER LOWERING AND RAISING



Detach winch handle for drill option.

AC / DC power winches now available. See page 20.
(OZACW, OZDCW)





Committed to Quality, Innovation and Customer Service

**THE LEADERS IN
OVERLOAD PROTECTION**

www.ozliftingproducts.com

Distributed By:



**P.O. Box 845, Winona, MN 55987 • sales@ozliftingproducts.com
Ph 507.474.6250 • Tf 800.749.1064 • Tech Support 507.457.3346 • Fx 507.452.5217**