

HARRINGTON HEAVY DUTY LB LEVER HOISTS



New Design

- Lighter Weight
- Compact Size
- Lower Headroom
- Nickel Plated Chain
- Easy to Operate
- Trouble Free

“THE TOUGH ONE” INDUSTRIAL-CONTRACTOR QUALITY (LB)

3/4, 1, 1½, 2, 3, 6, and 9 Ton Capacity Plus New Compact Design 2¾ Ton

Harrington LB lever hoists combine easy operation with a compact, reliable design that easily handles the real-world demands of contractor and industrial applications. Examples include day-to-day maintenance, machine repair, construction, service, and manufacturing operations. You'll find every job goes easier thanks to smooth, reliable lifting and pulling actions. Compact size and easy operation make the LB lever puller the “cumalong to take along” wherever you have a load to move.

Many Benefits From Move Features:

- Take and use this hoist anywhere—including tight quarters—thanks to a compact design with low headroom.
- Shed weight, not rugged, all steel construction that actually weighs less than comparable aluminum models.
- Get positive braking action with Weston-style load brake incorporating two moisture-resistant brake pads with four braking surfaces. Includes two brake pawls for additional reliability.
- Enjoy protection against dirt and moisture with a totally enclosed brake mechanism.
- Realize long life with machined, heat-treated, split load double reduction gears.
- Operation in close quarters with short, 15-degree recovery strokes, short steel handle and positive rubber grip.
- Patented spring-loaded freewheel mechanism allows easy adjustment of the load chain while safeguarding against inadvertent freewheel under load.

Options:

- Load limit warning handle
- Point load hook
- Top hook extender
- Inspection hook

Capabilities To Count On:

- 5-foot lift is standard, 10-, 15- and 20-foot lifts also stocked; nonstandard lifts available as well.
- Nickel plated load chain resists abrasion and wear while minimizing chain weight and corrosion.
- Forged and heat-treated alloy steel hooks open slowly without fracturing under excessive loads.
- Test certificate verifies that every hoist has been factory load tested to 125% of rated capacity, in accordance with ASME B30.21 requirements.



3/4 - 2¾ Ton



3 Ton



6 Ton

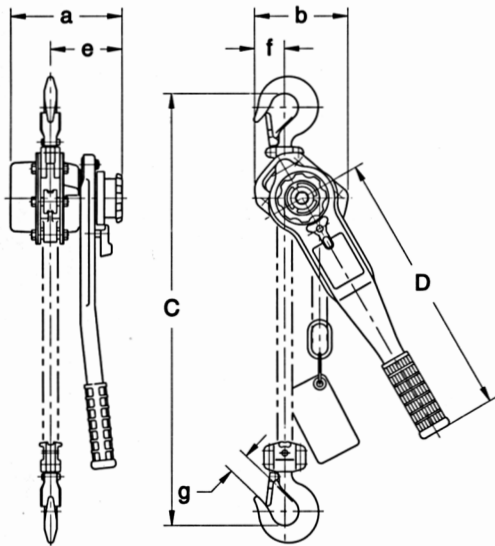


9 Ton

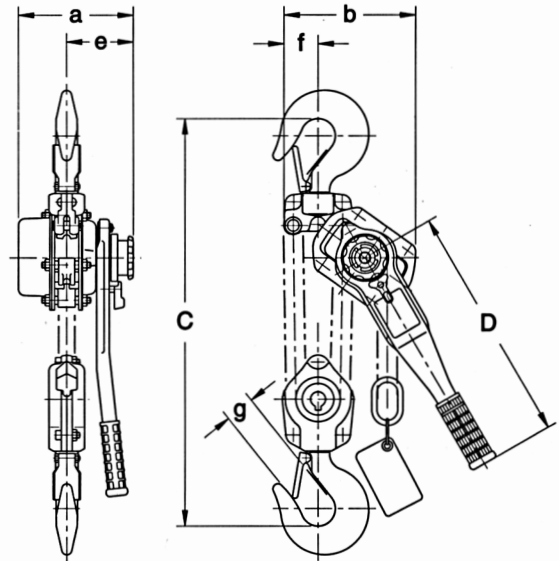
LB CHAIN COME-A-LONG SPECIFICATIONS

Cap. (Tons)	Product Code	Headroom C (in)	Std. Lift (ft)	Pull to Lift Load (lbs)	a (in)	b (in)	D (in)	e (in)	f (in)	g (in)	Load Chain Diameter (mm) x Chain Fall Lines	Net Weight (lbs)	Shipping Weight Approx. (lbs)	Weight for Add'l One Foot of Lift (lbs)
3/4	LB008	11.0	5	58	6.0	4.8	10.4*	4.0	1.4	0.9	5.6 x 1	14	14	0.4
1	LB010			77										
1 1/2	LB015	13.8	5	58	6.7	5.6	16.3	4.3	1.8	1.3	7.1 x 1	21	22	0.8
2	LB020			77										
3	LB030	16.5	5	70	7.0			2.0	1.6		9.0 x 1	34	36	1.2
6	LB060	22.4	5	72	7.7			4.5	2.4	2.0	9.0 x 2	60	62	2.4
9	LB090	27.8	5	74	11.1				3.9	2.9	9.0 x 3	93	97	3.6

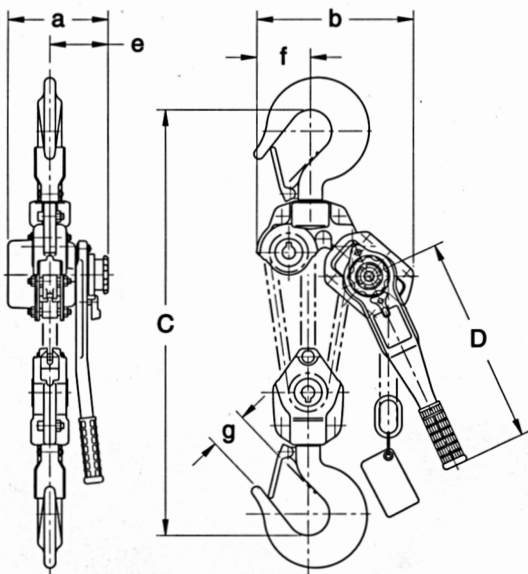
*For LB008 and LB010 equipment with load limit warning handle, D = 14.2 inches.



3/4 - 3 Ton



6 Ton



9 Ton

LB Optional Accessories

