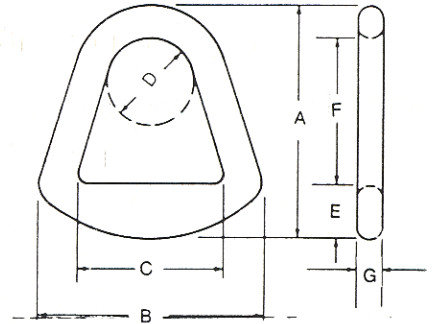
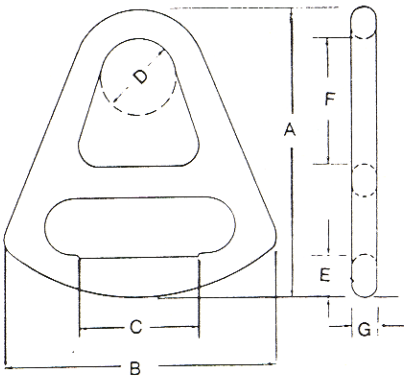


# FORGED ALUMINUM TRIANGLES CHOKERS

## Aluminum Triangles



DIMENSIONS & DATA										
SIZE	A	B	C	D	E	F	G	APPROX. WT. IN LBS.	W.L.L.	MIN. BREAK STRENGTH
T2	4	3 5/8	2 1/4	1 3/4	15/16	2 3/8	9/16	.31	3360	16,800
T3	5 1/4	5	3 1/4	2	1 3/16	3 5/16	5/8	.75	5000	25,000
T4	6 1/4	6 5/8	4 3/8	2 3/8	1 7/16	4	11/16	1.1	6700	33,500
T6	8 5/16	8 7/8	6 3/8	3 1/8	1 3/4	5 1/2	15/16	2.7	9700	48,500



NEWCO FORGED ALUMINUM TRIANGLES AND CHOKERS are forged from aircraft quality aluminum alloy that combines the highest strength and durability with the lightness of aluminum. Parts are hand ground and polished to a smooth finish.

## Aluminum Chokers

DIMENSIONS & DATA										
SIZE	A	B	C	D	E	F	G	APPROX. WT. IN LBS.	W.L.L.	MIN. BREAK STRENGTH
C2	6 1/8	5 1/4	2 1/8	1 3/4	15/16	2 3/8	9/16	.73	3360	16,800
C3	7 1/2	7 1/8	3 1/8	2	1 1/8	3 5/16	5/8	1.3	5000	25,000
C4	8 3/4	8 3/4	4 1/8	2 3/8	1 7/16	4	11/16	1.9	6700	33,500
C6	11 5/16	11 3/4	6 1/8	3 1/8	1 3/4	5 1/2	15/16	5.1	9700	48,500