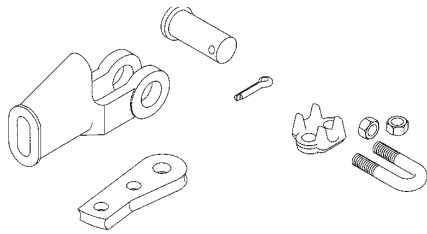


WEDGE SOCKET WARNINGS AND APPLICATION INSTRUCTIONS



S-421T "TERMINATOR"™

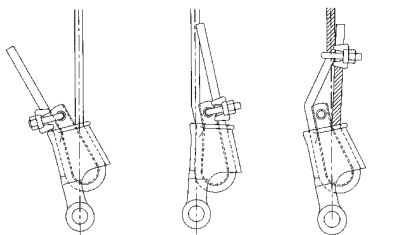
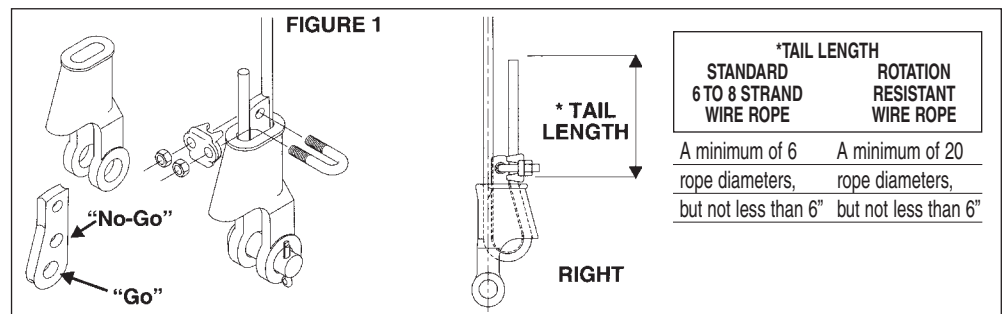
Extended wedge socket assembly U.S. patent No. 5,553,360. NOTE: Existing Crosby S-421 Wedge Sockets can be retrofitted with the New Terminator Wedge. New QUIC CHECK™ "Go" and "No-Go" features cast into wedge. The proper size wire rope is determined when the following criteria are met: 1. The wire rope shall pass thru the "go" hole in the wedge. 2. The wire rope shall NOT pass thru the "No-Go" hole in the wedge.

INSPECTION/MAINTENANCE SAFETY

Always inspect socket, wedge and pin before using. Do not use part showing cracks. Do not use modified or substitute parts. Repair minor nicks or gouges to socket or pin by lightly grinding until surfaces are smooth. Do not reduce original dimension more than 10%. Do not repair by welding. Inspect permanent assemblies annually, or more often in severe operating conditions.

ASSEMBLY SAFETY

Use only with standard 6 to 8 strand wire rope of designated size. For intermediate size rope, use next larger size socket. For example: When using 9/16" diameter wire rope use a 5/8" size Wedge Socket Assembly. Welding of the tail on standard wire rope is not recommended. The tail length of the dead end should be a minimum of 6 rope diameters but not less than 6" (Figure 1). To use with Rotation Resistant wire rope (special wire rope constructions with 8 or more outer strands) ensure that the dead end is welded, braided or seized before inserting the wire rope into the wedge socket to prevent core slippage or loss of rope lay. The tail length of the dead end should be a minimum of 20 rope diameters but not less than 6": (See Figure 1). Properly match socket, wedge and clip (See Table 1) to wire rope size. Align live end of rope, with center line of pin. (See Figure 1). Secure dead end section of rope. (See Figure 1). Tighten nuts on clip to recommended torque. (Table 1) Do not attach dead end to live end or install wedge backwards. (See Figure 2). Use a hammer to seat Wedge and Rope as deep into socket as possible before applying first load.



WRONG Rope Backward

WRONG Wedge Backward

WRONG Tail Clipped to live Line

OPERATING SAFETY

Apply first load to fully seat the Wedge and Wire Rope in the socket. This load should be of equal or greater weight than loads expected in use. Efficiency rating of the Wedge Socket termination is based upon the catalog breaking strength of Wire Rope. The efficiency of a properly assembled Wedge Socket is 80%. During use, do not strike the dead end section with any other elements of the rigging. (Called two blocking).

Rope Size	3/8	7/16	1/2	9/16	5/8	3/4	7/8	1	1-1/8	1-1/4
Clip Size	3/8	7/16	1/2	9/16	5/8	3/4	7/8	1	1-1/8	1-1/4
*Torque Ft./Lbs.	45	65	65	95	95	130	225	225	225	360

*The tightening torque values shown are based upon the threads being clean, dry, and free of lubrication.



WARNING

- Loads may slip or fall if the Wedge Socket is not properly installed.
- A falling load may cause serious injury or death.
- Read and understand these instructions before installing the Wedge Socket.
- Do not side load the Wedge Socket.
- Apply first load to fully seat the Wedge and Wire Rope in the socket. This load should be of equal or greater weight than loads expected in use.