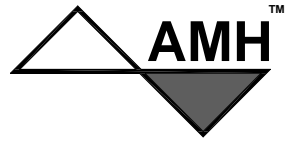


# ANSI/ASME B30.16



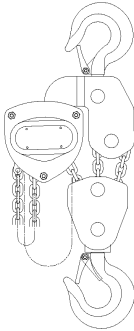
**1/2-3t**  
(1 Part)

MA005  
MA010  
MA015  
MA020  
MA030



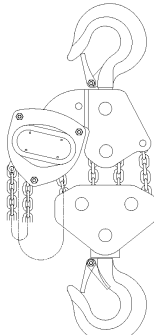
**4t, 5t**  
(2 part)

MA040  
MA050



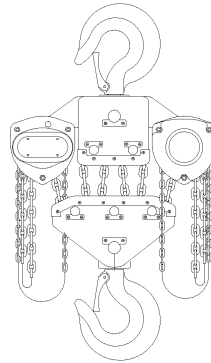
**6t, 7.5t, 8t**  
(3 Part)

MA060  
MA075  
MA080



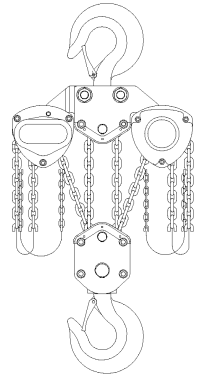
**10t**  
(4 Part)

MA100



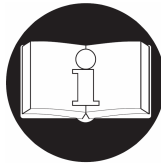
**12t, 15t** (6 parts)  
**20t** (8 parts)

MA120  
MA150  
MA200



**25t** (10 parts)  
**30t** (10 parts)

MA250  
MA300



**READ THIS MANUAL BEFORE USING THESE PRODUCTS.**

This manual contains important safety, installation and operation information.

**LEA ESTE MANUAL ANTES DE USAR ESTOS PRODUCTOS.**

Este manual contiene información importante de seguridad, instalación y operación.

**LIRE CE MANUEL AVANT D'UTILISER CES PRODUITS.** Ce

manuel contient des informations importantes relatives à la sécurité, à l'installation et au fonctionnement.

English

Español

Français

This manual provides important information for all personnel involved with the safe installation and operation of these products. Even if you feel you are familiar with this or similar equipment, you should read this manual before operating the product.

AMH recognizes that most companies who use hoists have a safety program in force in their plants. In the event you are aware that some conflict exists between a rule set forth in this publication and a similar rule already set by an individual company, the more stringent of the two should take precedence. Safe Operating Instructions are provided to make an operator aware of unsafe practices to avoid and are not necessarily limited to the following list. Refer to specific sections in the manual for additional safety information.

# **WARNING**

## To avoid serious injury or death:

1. Only allow people, trained in safety and operation of this product, to operate the hoist.
2. Only operate a hoist if you are physically fit to do so.
3. When a "DO NOT OPERATE" sign is placed on the hoist, do not operate the hoist until the sign has been removed by designated personnel.
4. Before each shift, the operator should inspect the hoist for wear or damage.
5. Never use a hoist which inspection indicates is worn or damaged.
6. Periodically, inspect the hoist thoroughly and replace worn or damaged parts.
7. Lubricate the hoist regularly.
8. Do not use hoist if hook latch has been sprung or broken.
9. Check that the hook latches are engaged before using.
10. Never splice a hoist chain by inserting a bolt between links.
11. Only lift loads less than or equal to the rated capacity of the hoist. See "SPECIFICATIONS" section.
12. When using two hoists to suspend one load, select two hoists each having a rated capacity equal to or more than the load. This provides adequate safety in the event of a sudden load shift.
13. Never place your hand inside the throat area of a hook.
14. Never use the hoist load chain as a sling.
15. Never operate a hoist when the load is not centered under the hook. Do not "side pull" or "yard."
16. Never operate a hoist with twisted, kinked, "capsized" or damaged load chain.
17. Do not force a chain or hook into place by hammering.
18. Never insert the point of the hook into a chain link.
19. Be certain the load is properly seated in the saddle of the hook and the hook latch is engaged.
20. Do not support the load on the tip of the hook.
21. Never run the load chain over a sharp edge.
22. Pay attention to the load at all times when operating the hoist.
23. Always ensure that you, and all other people, are clear of the path of the load. Do not lift a load over people.
24. Never use the hoist for lifting or lowering people, and never allow anyone to stand on a suspended load.



25. Do not swing a suspended load.
26. Never weld or cut on a load suspended by the hoist.
27. Never use the hoist chain as a welding electrode.
28. Do not operate hoist if chain jumping, excessive noise, jamming, overloading, or binding occurs.
29. Only operate the hoist with manual power.
30. After use, or when in a non-operational mode the chain hoist should be secured against unauthorized and unwarranted use.
31. Do not leave a load suspended when the hoist is unattended or not in use.
32. Never operate if chain is restricted from a straight line to load

### **INSTALATION and OPERATION**

Before installing or putting hoist to use, check local or other regulations, including American National Standards Institute and/or OSHA Regulations, which may apply to use of manually powered lever chain hoist in your application. Familiarize operators and personnel responsible for hoist installation and service with ASME B30.16 specifications and this manual prior to placing unit into service. All requirements of this specification, including testing should be met before approving hoist for operation.

#### **New Altered or Modified Hoist**

Inspect and test by personnel trained in safety, operation and maintenance of this type equipment, to ensure safe operation at rated working load capacity before placing into service.

#### **Before using the hoist**

1. Insure all previous warnings are obeyed and the load to be lifted is less than the WLL Working Load Limit.
2. Attach the top hook to a sufficient structure or rigging to handle the load capacity of the hoist and make sure the hook latch is closed. **The hoist may be used in any orientation as long a unrestricted straight line is formed between hooks.**
3. Check that the load chain is sufficient length to lower the load without pulling against the slack side anchor stop (17). The anchor stop is not intended to prevent chain from pulling out of the hoist when loaded and force is applied by hand to lower the load.
4. Looking at the hand chain end of the hoist, pull on the left hand chain to lower the hook or pull on the right hand chain to raise the hook. Attach the hook to the load by hand.

#### **Lift the load**

1. Looking at the hand chain end of the hoist, pull on the right hand chain to raise the load. Always raise the load a fraction of an inch then stop to check the holding ability of the brake then continue the lift.

#### **Lower or Release the Load**

1. Looking at the hand chain end of the hoist, pull on the left hand chain to lower the hook or pull on the right hand chain to raise the hook. **Do not continue to lower the hoist if the chain length is too short and there is no slack at the connection to anchor stop (17). Damage to the hoist and loss of load may result.**

### **STORING THE HOIST**

1. Always store the hoist in a no load condition.
2. Wipe off all dirt and water and hang in a dry place.
3. Oil the chain, hook pins and hook latch pins.
4. Before returning hoist to service follow instructions for "Hoists not in Regular Service" under "INSPECTION"

### **"INSPECTION"**

Frequent and periodic inspections should be performed on equipment in regular service. Frequent inspections are visual examinations performed by operators or service personnel during routine hoist operation. Periodic inspections are thorough inspections performed by personnel trained in inspection and maintenance of the hoist. Careful inspection on a regular basis will reveal potentially dangerous conditions while still in the early stages, allowing corrective action to be taken before the condition becomes dangerous.

Deficiencies revealed through inspection, or noted during operation, must be reported to an appointed person. A determination must be made as to whether a deficiency constitutes a safety hazard before resuming operation of the hoist.

## Records and Reports

Some form of inspection record should be maintained for each hoist, listing all points requiring periodic inspection. A written report should be made monthly on the condition of the critical parts of each hoist. These reports should be dated, signed by the person who performed the inspection, and kept on file where they are readily available for review.

## Frequent Inspection

On a hoist in continuous service, frequent inspection should be made at the beginning of each shift. In addition, visual inspections should be conducted during regular service for any damage or evidence of malfunction.

1. **OPERATION.** Check for visual or abnormal noises which could indicate a potential problem. Do not operate a hoist unless the load chain feeds through the hoist and hook block smoothly. Listen for "clicking", binding or malfunctioning. The clicking sound of the pawl on the ratchet gear is normal when a load is being raised. If chain binds, jumps, or is excessively noisy, clean and lubricate the chain. If problem persists, return the hoist to your nearest repair center. Do not operate the hoist until all problems have been corrected. Check that hand chain moves freely and without binding or excessive drag. Hook should stop moving when hand chain stops moving.
2. **HOOK LATCH.** Check operation of the hook latch. Replace if broken or missing.
3. **HOOKS.** Check for wear or damage, increased throat width, bent shank or twisting of hook. Replace hooks which exceed the throat opening discard width (15%) shown in Table 1 (ref. Dwg. H-01) or exceed a 10° twist (ref. Dwg. H-01). If the hook latch snaps past the tip of the hook, the hook is sprung and must be replaced. Check hooks swivel easily and smoothly. Repair or lubricate as necessary.
4. **CHAIN** (ref. Dwg. C-01)- Examine each of the links for bending, cracks in weld areas or shoulders, transverse nicks and gouges, weld splatter, corrosion pits, striation (minute parallel lines) and chain wear, including bearing surfaces between chain links. Replace a chain that fails any of the inspections. Check lubrication and lubricate if necessary. See 'Load Chain' under LUBRICATION."
5. **LOAD CHAIN REEVING.** Make sure welds on standing links are away from load sheave reference (Dwg. C-02). Reinstall chain if necessary. Check that the last link of the load chain is securely connected. Make sure chain is not capsized, twisted or kinked. Adjust as required.

## Periodic Inspection

Frequency of periodic inspection primarily depends on the severity of usage:

**NORMAL**  
yearly

**HEAVY**  
semi-annually

**SEVERE**  
quarterly

Disassembly may be required for HEAVY or SEVERE usage. Keep accumulative written records of periodic inspections to provide a basis for continuing evaluation. Inspect all items in "Frequent Inspection." Also inspect the following:

1. **FASTENERS.** Check rivets, capscrews, nuts, cotter pins and other fasteners on hooks, hoist body and chain bucket, if used. Replace if missing and tighten or secure if loose.
2. **ALL COMPONENTS.** Inspect for wear, damage, distortion, deformation and cleanliness. If external evidence indicates the need for additional inspection return the hoist to your nearest service repair center.
3. **HOOKS.** Inspect hooks for cracks. Use magnetic particle or dye penetrant to check for cracks. Inspect hook retaining parts. Tighten or repair, if necessary. Refer to applicable specifications for additional hook inspection information.
4. **CHAIN SHEAVES.** Check for damage or excessive wear. If damage or wear is noted, return the hoist to your nearest service repair center.
5. **LOAD CHAIN.** Measure the chain for stretching by measuring across five link sections all along the chain (ref. Dwg. C-01). When any five links in the working length reach or exceed the discard length shown in Table, replace the entire chain. Insure the load chain is installed with the weld side of the standing links positioned away from the drive wheel in the hoist. If the chain is not installed correctly then reinstall reference (Dwg. C-02). Always use a genuine **AMH** replacement chain.

6. **BRAKES.** Raise a load equal to the rated capacity of the hoist a few centimeters (inches) off the floor. Verify hoist holds the load without drift. If drift occurs, contact your nearest service repair center for repair information.
7. **SUPPORTING STRUCTURE.** If a permanent structure is used inspect for continued ability to support load.
8. **LABELS AND TAGS.** Check for presence and legibility. Replace if necessary.
9. **END ANCHOR.** Ensure end anchor on hoist is installed and unbent. Repair if damaged, replace if missing.

### **Hoists not in Regular Service**

1. Hoists which have been idle for a period of one month or more, but less than one year should be given an inspection conforming with the requirements of "Frequent Inspection" before being placed in service.
2. Hoists which have been idle for a period of more than one year should be given a complete inspection conforming with the requirements of "Periodic Inspection" before being placed in service.
3. Standby hoists should be inspected at least semi-annually in accordance with the requirements of "Frequent Inspection." In abnormal operating conditions equipment should be inspected at shorter intervals.

### **Lubrication**

#### **General**

The use of thread lubricant or anti-seize compound is recommended for threaded components. Unless otherwise stated, remove old lubricant, clean the part with an acid free solvent and apply a new coating of lubricant to the part before assembly.

#### **Gears**

Unscrew nuts on the opposite side of the hoist as the hand chain, and remove gear cover and support plate. Remove old grease and replace with new. For temperatures -29° to 10°C (-20° to 50°F) use EP 1 grease or equivalent. For temperatures -1° to 49° C (30° to 120°F) use EP 2 grease or equivalent.

## **Load Chain**

1. Lubricate each link of the load chain weekly. Apply new lubricant over existing layer.
2. In severe applications or corrosive environment, lubricate more frequently than normal.
3. Lubricate hook and hook latch pivot points with the same lubricant used on the load chain.
4. To remove rust or abrasive dust build-up, clean chain with acid free solvent. After cleaning, lubricate the chain.
5. Use a SAE 50 to 90 EP oil.

### **1 YEAR LIMITED WARRANTY**

We make every effort to assure that our products meet high quality and durability standards and we warrant to the original consumer of our products that each product be free from defects in material and workmanship as follows:

1 Year limited warranty on all our products. The warranty does not apply to defects due directly or indirectly to misuse, negligence or accidents, repairs or alterations outside our facilities or to a lack of maintenance. We limit all warranties to the period specified above from the date the product was purchased at retail. Please retain your dated sales receipt as proof of purchase to validate the warranty period. Except as stated herein, any implied warranties or merchantability and fitness are excluded. Some states do not allow limitations on how long the warranty lasts; hence the above limitation may not apply to you. We shall in no event be liable for death, injuries to persons or property or for incidental, contingent, special or consequential damages arising from the use of our products. Some states do not allow the exclusions or limitation of incidental or consequential damages; hence the above limitations or exclusions may not apply to you. To take advantage of this warranty, the product must be returned for examination, postage prepaid to an authorized service station. Proof of purchase date and an explanation of the complaint must accompany the product. If our inspection discloses a defect we will either repair or replace the product or refund the purchase price, if we cannot quickly provide a repair or replacement, if you are willing to accept such a refund. We will return repaired products or the replacement at our expense, but if we find that there is no defect, or that the defect resulted from causes not within the scope of this warranty, then the user must bear the cost of returning the product. This warranty gives you specific legal rights, and you may also have other rights that vary from state to state.

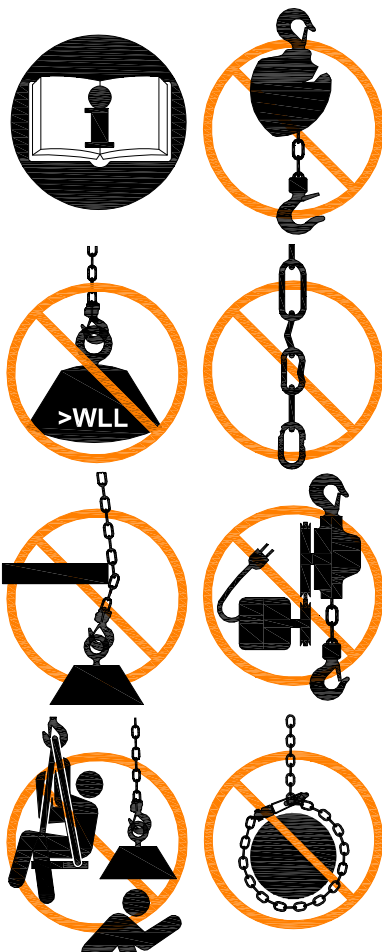
Este manual ofrece información importante para todo el personal involucrado con la instalación y operación segura de estos productos. Incluso en el caso de que usted considere que conoce bien este equipo, u otro semejante, debe leer este manual antes de operar este producto.

**AMH** reconoce que la mayoría de compañías que utilizan polipastos tienen un programa de seguridad vigente en sus plantas. En el caso de que usted se entere de la existencia de conflicto entre una norma establecida en esta publicación y una semejante ya establecida por una compañía determinada, tendrá prioridad la más exigente de las dos. Las Instrucciones para la operación segura se proporcionan para alertar al operador sobre las prácticas inseguras que se deben de evitar, y no necesariamente se limitan a la lista que sigue a continuación. Para obtener más información de seguridad, consulte las secciones específicas del manual.

# CUIDADO

## Para evitar lesión seria o muerte:

1. Sólo se debe permitir que operen el polipasto las personas entrenadas en la seguridad y operación de este producto.
2. Una persona debe operar el polipasto sólo si es físicamente apta para ello.
3. Si hay en el polipasto un aviso de "NO OPERAR", no lo use hasta que el personal designado haya quitado el aviso.
4. Antes de cada turno el operador debe inspeccionar el polipasto para determinar si está desgastado o dañado.
5. Nunca opere un polipasto si la inspección indica que está desgastado o dañado.
6. Periódicamente haga una inspección exhaustiva del polipasto y reemplace las piezas desgastadas o dañadas.
7. Lubrique el polipasto con regularidad.
8. No utilice el polipasto si el pestillo del gancho está vencido o roto.
9. Antes de usar el polipasto, compruebe que los pestillos de los ganchos están asegurados.
10. Nunca empalme una cadena de polipasto insertando un perno entre los eslabones.
11. Sólo se deben levantar cargas que sean iguales o menores que la capacidad nominal del polipasto. Consulte la sección "ESPECIFICACIONES".
12. Cuando use dos polipastos para suspender una carga, seleccione dos polipastos que tengan cada uno una capacidad nominal igual o mayor que la carga. Esto provee seguridad adecuada para el caso de un cambio repentino de la carga.
13. Nunca ponga la mano dentro del área de la garganta de un gancho.
14. Nunca use la cadena de carga del polipasto como eslinga.
15. Nunca accione un polipasto si la carga no está centrada bajo el gancho. No "tire lateralmente" de la carga.
16. Nunca accione un polipasto con la cadena de carga retorcida, angulada, "invertida" o dañada.
17. No haga entrar a la fuerza una cadena o gancho usando un martillo.
18. Nunca introduzca la punta del gancho en un eslabón de la cadena.



Español

19. Compruebe que la carga esté correctamente asentada en el lomo del gancho y que el pestillo del gancho esté asegurado.
20. No deje que la punta del gancho soporte todo el peso de la carga.
21. Nunca haga correr la cadena de carga sobre un borde afilado.
22. Observe siempre la carga cuando esté operando el polipasto.
23. Siempre compruebe que usted, y todas las demás personas, están fuera de la trayectoria de la carga. No levante una carga encima de ninguna persona.
24. Nunca use el polipasto para levantar o bajar personas, ni permita que nadie se pare debajo de una carga suspendida.
25. No haga oscilar una carga suspendida.
26. Nunca suelde ni corte en una carga suspendida por el polipasto.
27. Nunca use la cadena del polipasto como electrodo de soldadura.
28. No opere el polipasto si la cadena salta u ocurre ruido excesivo, enredos, sobrecarga o atasco.
29. Sólo se debe operar el polipasto con potencia manual.
30. Después de usarlo, o cuando no se encuentre en operación, se debe asegurar el polipasto de cadena para impedir el uso no autorizado e injustificado.
31. No deje una carga suspendida en el polipasto si se encuentra o no está en uso.
32. Nunca opere si la cadena está desplazada de una línea recta a la carga

### **Instalación y operación**

Antes de instalar o poner elevador en uso, consulte las normas locales o de otro tipo, incluida la American National Standards Institute y / o Reglamentos de OSHA, que se pueden aplicar al uso de funcionamiento manual polipasto de cadena de palanca en la aplicación. Familiarizar a los operadores y el personal responsable de la instalación de aparatos elevadores y servicios con las especificaciones ASME B30.16 y con este manual antes de poner la unidad en servicio. Todos los requisitos de esta especificación, incluyendo las pruebas, deben cumplirse antes de aprobar el elevador para la operación.

#### **Elevador recientemente alterado o modificado**

Inspeccionar y probar por personal capacitado en seguridad, operación y mantenimiento de este equipo tipo, para garantizar la operación segura en la capacidad estimada de carga de trabajo antes de la puesta en servicio.

#### **Antes de usar el elevador**

1. Asegúrese que todas las advertencias anteriores se cumplen y que la carga a levantar es menor que el límite de la carga de trabajo WLL.
2. Conecte el gancho superior a una estructura suficiente para manejar o manipular la capacidad de carga de la grúa y asegurarse de que el gancho de cierre está cerrado. **El elevador puede ser utilizado en cualquier orientación siempre y cuando haya una línea recta entre los ganchos.** Compruebe que la cadena de carga tiene la longitud suficiente para reducir la carga sin tirar en contra de la holgura del lado de anclaje (17). La parada de anclaje no está destinada a evitar que la cadena de tracción se salga del polipasto cuando se carga y se aplica una fuerza manual para bajar la carga.
3. Mirando al extremo de la cadena de mano del polipasto, tire de la cadena de la mano izquierda para bajar el gancho o tire de la cadena de la mano derecha para elevar el gancho. Conecte el gancho a la carga con la mano.

#### **Levantar la carga**

1. Mirando al extremo de cadena manual del polipasto, tire de la cadena de la mano derecha para elevar la carga. Eleve siempre la carga una fracción de una pulgada y luego deténgase para comprobar la capacidad de sujeción de los frenos luego continuar con el ascenso.

#### **Descender o liberar la carga**

1. Mirando al extremo de cadena manual del polipasto, tire de la cadena de la mano izquierda para bajar el gancho o tire de la cadena de la mano derecha para subirlo. **No continúe bajando el polipasto si la longitud de la cadena es demasiado corta y no hay holgura en la conexión a la barra de parada (17). Podría dañar el polipasto y perder la carga.**

#### **Almacenaje del polipasto**

1. Guarde siempre el polipasto sin carga.
2. Limpie toda la suciedad y el agua, y cuélguelo en un lugar seco.



3. Ponga aceite en la cadena, y en los pasadores del gancho y del pestillo del gancho.
4. Antes de volver a poner en funcionamiento el polipasto, siga las instrucciones para polipastos que no están en “Servicio regular” en la sección

### “INSPECCIÓN”

Se deben realizar inspecciones frecuentes y periódicas en los equipos en servicio regular. Las inspecciones frecuentes son las revisiones visuales que realizan los operadores o el personal de servicio durante la operación de rutina del polipasto. Las inspecciones periódicas son las inspecciones completas realizadas por personal capacitado en inspección y mantenimiento del polipasto. La inspección cuidadosa realizada en una base regular revelará las condiciones potencialmente peligrosas durante la etapa inicial, permitiendo que se adopten acciones correctivas antes de que la condición se vuelva peligrosa. Las deficiencias reveladas mediante la inspección, u observadas durante la operación, se deben comunicar a una persona designada. Antes de reanudar la operación del polipasto, se debe determinar si la deficiencia constituye un riesgo de seguridad.

#### Registros e informes

Se debe mantener alguna forma de registro de inspección para cada polipasto, indicando todos los puntos que requieren inspección periódica. Mensualmente se debe escribir un informe sobre la condición de las piezas críticas de cada polipasto. Estos informes deben tener fecha y estar firmados por la persona que realizó la inspección, y mantenerse en un archivo de fácil acceso para revisión.

#### Inspección frecuente

En un polipasto dedicado al servicio continuo, la inspección frecuente se debe realizar al principio de cada turno. Además, se deben conducir inspecciones visuales durante el servicio regular en busca de cualquier daño o evidencia de desperfecto.

1. OPERACION. Verifique si hay algún ruido anormal o defecto visual que pudiera indicar un problema potencial. No opere un polipasto a menos que la cadena de carga corra suavemente por el polipasto y el bloque del gancho. Escuche si hay ruidos secos intermitentes, atascos o desperfectos. El sonido seco intermitente del seguro del piñón de trinquete es normal cuando se levanta una carga. Si la cadena se atasca, salta o produce mucho ruido, límpiela y lubríquela. Si el problema persiste, devuelva el polipasto al centro de servicio de reparaciones de AMH más cercano. No opere el polipasto hasta que se hayan corregido todos los problemas. Verifique que la cadena manual se mueva libremente y sin pegarse ni tener arrastre excesivo. El gancho se debe detener al parar el movimiento de la cadena manual.
2. PESTILLO DEL GANCHO. Verifique el funcionamiento del pestillo del gancho. Cámbielo si está roto o si no está presente.
3. GANCHOS. Inspeccione por desgaste o daños, aumento en la anchura de la garganta, vástago doblado o dobladura del gancho. Reemplace los ganchos cuando se excede la anchura de descarte de abertura de garganta (15%) mostrado en la Tabla 1 (Dibujo ref. H-01) o se excede un retorcimiento de 10° (Dibujo ref. H-01). Si el pestillo del gancho se inserta pasando de la punta del gancho, el gancho está vencido y se debe reemplazar. Compruebe que los ganchos giren fácil y suavemente. Repare o lubrique según sea necesario.
4. CADENA. (Dibujo ref. C-01) Inspeccione cada uno de los eslabones por dobladura, fisuras en las áreas soldadas o resaltos, mellas transversales y ranuras, salpicaduras de soldadura, acumulaciones de corrosión, estriación (líneas finas paralelas) y desgaste de la cadena, incluyendo las superficies portantes entre los eslabones de la cadena. Reemplace la cadena que no pase cualquiera de estas inspecciones. Revise la lubricación, y lubrique si es necesario. Consulte “Cadena de carga” en la sección “LUBRICACION”.
5. LABOREO DE LA CADENA MANUAL. Asegúrese de que las soldaduras en los enlaces de pie están lejos de carga de referencia de la polea (Dwg. C-02). Vuelva a instalar la cadena si es necesario. Compruebe que el último eslabón de la cadena de carga esté bien afianzado. Cerciórese de que la cadena no está al revés, retorcida ni angulada. Ajuste según sea necesario

## Inspección periódica

La frecuencia de la inspección periódica depende principalmente del uso:

**NORMAL**  
anual

**PESADO**  
semestral

**EXIGENTE**  
trimestral

Es posible que sea necesario desarmar la unidad para los usos PESADO o EXIGENTE. Mantenga un registro escrito acumulativo de las inspecciones periódicas para proveer una base para la evaluación continua. Inspeccione todos los elementos indicados en "Inspección frecuente". Inspeccione también lo siguiente:

1. **ELEMENTOS DE SUJECION.** Revise los remaches, tornillos de cabeza, tuercas, pasadores de aletas y otros elementos de sujeción en los ganchos, el cuerpo de polipasto y la cubeta de la cadena, si se usa. Reemplace las piezas faltantes y apriete o asegure las que estén flojas.
2. **TODOS LOS COMPONENTES.** Inspeccione por desgaste, daño, distorsión, deformación y limpieza. Si la apariencia externa indica la necesidad de inspección adicional, envíe el polipasto al centro de servicio de reparaciones de AMH más cercano.
3. **GANCHOS.** Inspeccione los ganchos para ver si tienen fisuras. Use partículas magnéticas o tinte penetrante para detectar las fisuras. Inspeccione las piezas de retención del gancho. Apriete o repare, si es necesario. Consulte las especificaciones aplicables para obtener más información sobre la inspección de los ganchos.
4. **ROLDANAS DE CADENA.** Compruebe por daño o desgaste excesivo. Si se observa que hay daños o desgaste, devuelva el polipasto al centro de servicio de reparaciones de AMH más cercano.
5. **CADENA DE CARGA.** Mida la cadena para ver si se ha estirado, midiendo entre secciones de cinco eslabones a lo largo de la cadena (Dibujo ref. C-01). Si una sección de cinco eslabones en la longitud de trabajo alcanza o supera la longitud de descarte indicada en la Tabla, reemplace toda la cadena. Asegurar la cadena de carga se ha instalado con la cara de soldadura de los enlaces colocados de pie fuera de la rueda de unidad en la bandera. Si la cadena no está instalado correctamente entonces la referencia a instalar (Dwg. C-02). Siempre use una cadena de recambio legítima de AMH.
6. **FRENOS.** Suba una carga igual a la capacidad nominal del polipasto a unos cuantos centímetros (pulgadas) del suelo. Compruebe que el polipasto sostiene la carga sin resbalamiento. Si ocurre resbalamiento, comuníquese con el centro de servicio de reparaciones más cercano en cuanto a información de reparación.
7. **ESTRUCTURA DE APOYO.** Si se usa una estructura permanente, inspeccione la capacidad de continuar soportando la carga.
8. **ROTULOS Y ETIQUETAS.** Verifique si están presentes y son legibles. Cámbielos si es necesario.
9. **ELEMENTO DE ANCLAJE EXTREMO.** Compruebe que el elemento de anclaje extremo en el polipasto esté instalado y no esté doblado. Repárelo si está dañado, ponga uno si no existe.

## Polipastos que no están en servicio regular

1. Un polipasto que ha estado sin usar durante un período de un mes o más, pero menos de un año, debe recibir una inspección conforme a los requisitos de "Inspección frecuente", antes de ponerlo en servicio.
2. Un polipasto que ha estado sin usar durante un período de más de un año deberá recibir una inspección completa conforme a los requisitos de "Inspección periódica", antes de ponerlo en servicio.
3. Los polipastos de reserva deben inspeccionarse cuando menos dos veces al año, de conformidad a los requisitos de "Inspección frecuente". En condiciones anormales de operación, el equipo debe ser inspeccionado a intervalos más cortos.

## LUBRICACION

### General

Se recomienda usar lubricante para roscas o compuesto antiagarrotador en los componentes roscados. Salvo que se establezca lo contrario, elimine el lubricante antiguo, limpie la pieza con un solvente sin ácido y aplíquelo una nueva capa de lubricante antes de armarla.

### Piñones

Desenrosque las tuercas en el lado opuesto del polipasto con respecto a la cadena de maniobra, y saque la cubierta del piñón y la placa de soporte. Elimine la grasa antigua y ponga nueva. Para temperaturas entre -29° a 10°C (-20° a 50°F) use grasa EP 1 o equivalente. Para temperaturas entre -1° a 49°C (30° a 120°F) use grasa EP 2 o equivalente.

### Cadena de carga

1. Lubrique semanalmente cada eslabón de la cadena de carga. Aplique lubricante nuevo sobre la capa existente.
2. En aplicaciones exigentes, o ambiente corrosivo, lubrique con más frecuencia de lo normal.
3. Lubrique el gancho y los puntos de giro del pestillo del gancho con el mismo lubricante usado en la cadena de carga.
4. Para eliminar el óxido o la acumulación de polvo abrasivo, limpie la cadena con disolvente sin ácido. Después de limpiarla, lubriquéla.
5. Use SAE 50 a 90 EP.

## GARANTÍA LIMITADA A 1 AÑO

Hacemos todo el esfuerzo para asegurarnos de que nuestros equipos cumplen con estándares de alta calidad y durabilidad y garantizamos al usuario original de nuestros equipos que los productos están libres de defectos en su material de construcción y su fabricación bajo las siguientes condiciones y términos:

1 Año de Garantía Limitada en todos los productos. La garantía no se aplica a defectos ocasionados directa o indirectamente por el mal uso del equipo, negligencias y/o accidentes, reparaciones y/o alteraciones fuera de nuestro centro de servicio o por falta de mantenimiento. Limitamos la garantía al periodo indicado arriba, a partir de la fecha en que el usuario final efectúa la compra del equipo. Por favor, retenga su recibo con la fecha como prueba de su compra para poder validar el periodo de garantía. Excepto a lo indicado por este documento, cualquier otra garantía implicada con mercadotecnia y o programas están excluidas. Algunos estados de Norteamérica no permiten limitar el periodo de garantía, por lo tanto lo indicado arriba puede no ser de aplicación para usted. De todas formas, de ninguna manera somos responsables por accidentes fatales o daños personales o materiales o por daños incidentales, contingentes, o especiales que resulten de operar nuestros equipos. Algunos estados de Norteamérica no permiten excluir y/o limitar daños incidentales, por lo tanto lo indicado arriba puede no ser de aplicación para usted. Para hacer uso de esta garantía, el producto deberá ser retornado para su examen con flete pre pagado a una estación de servicio autorizada y certificada. El comprobante de compra y una explicación de la queja deben acompañar al equipo. Si nuestra inspección revela un defecto, repararemos o reemplazaremos el producto, o reembolsaremos el valor de la compra del equipo, si no podemos proporcionar rápidamente la reparación o reemplazo y usted acepta dicho reembolso. Devolveremos el equipo reparado o reemplazado a nuestro costo, sin embargo si el resultado de nuestra evaluación no encuentra defectos, o los defectos son consecuencia de causas no consideradas en esta garantía, el cliente deberá pagar por los gastos de flete para su devolución. Esta garantía le da derechos legales específicos, y puede tener también otros derechos que varían de estado a estado.

Ce manuel contient des informations importantes pour tout le personnel chargé de l'installation et de l'utilisation de ces produits, en toute sécurité. Même si vous pensez connaître parfaitement ce produit ou tout autre équipement similaire, lisez ce manuel avant d'utiliser le produit.

AMH reconnaît que la plupart des sociétés qui utilisent des palans appliquent dans leurs usines un programme de sécurité. En cas de conflit entre un règlement stipulé dans cette publication et une règle similaire déjà en vigueur dans une société privée, le règlement le plus rigoureux aura la préséance. Les consignes de sécurité sont destinées à signaler à l'opérateur les pratiques dangereuses à éviter, dont une liste non exhaustive est présentée ci-dessous. Se reporter aux rubriques spécifiques de ce manuel pour toute information supplémentaire sur la sécurité.

# AVERTIR

## Pour éviter des dommages sérieux ou la mort:

1. Ne permettre l'utilisation du palan qu'aux personnes formées à la sécurité et au fonctionnement de ce produit.
2. Ne pas utiliser de palan si vous n'en êtes pas physiquement apte.
3. Lorsqu'un panneau «HORS SERVICE» est affiché sur le palan, ne pas utiliser ce dernier avant que le panneau n'ait été retiré par un personnel désigné.
4. Au début de chaque journée de travail, l'opérateur doit vérifier l'absence de tout signe d'usure ou de dommage.
5. Ne jamais utiliser un palan jugé défectueux ou endommagé à l'issue d'une inspection.
6. Inspecter périodiquement le palan, de façon complète, et remplacer les pièces usées ou endommagées.
7. Graisser le palan régulièrement.
8. Ne pas utiliser le palan si le linguet de sécurité est détendu ou cassé.
9. Vérifier que les linguets de sécurité des crochets soient en appui sur le crochet : ouverture du crochet fermée.
10. Ne jamais raccorder une chaîne de palan en insérant un boulon entre les maillons.
11. Ne soulever que des charges inférieures ou égales à la capacité nominale du palan. Voir la rubrique «SPECIFICATIONS».
12. Lorsque deux palans sont utilisés pour soulever une charge, sélectionner deux unités dont la capacité nominale de chacune est égale ou supérieure à la charge. Il s'agit d'une mesure de sécurité supplémentaire en cas de déplacement soudain de la charge.
13. Ne jamais placer vos mains à l'intérieur de la gorge d'un crochet.
14. Ne jamais utiliser la chaîne d'un palan comme élingue.
15. Ne jamais utiliser un palan lorsque la charge n'est pas centrée sous le crochet. Ne pas «tirer latéralement».
16. Ne jamais utiliser un palan dont la chaîne est tordue, entortillée, vrillée ou endommagée.
17. Ne pas forcer une chaîne ou un crochet à l'aide d'un marteau.
18. Ne jamais insérer la pointe d'un crochet dans un maillon.
19. S'assurer que la charge repose correctement dans le sabot d'appui du crochet et que le loquet du crochet est engagé.



20. Ne pas laisser reposer la charge sur le bout du crochet.
21. Ne jamais faire passer une chaîne sur une arête vive.
22. Ne pas quitter des yeux la charge pendant toute la manipulation.
23. Toujours s'assurer que ni vous, ni personne, ne soit dans la trajectoire de la charge. Ne pas soulever une charge si des personnes sont présentes en-dessous.
24. Ne jamais utiliser le palan pour soulever ou faire descendre des personnes et ne jamais laisser quiconque monter sur une charge suspendue.
25. Ne pas faire osciller une charge suspendue.
26. Ne jamais souder ni découper une charge suspendue par un palan.
27. Ne jamais utiliser la chaîne du palan comme électrode fusible.
28. Ne pas utiliser le palan en cas d'instabilité de la chaîne, de bruit excessif, d'enrayage, de surcharge, ou de grippage.
29. Faire fonctionner le palan manuellement uniquement.
30. Après avoir été utilisé et lorsqu'il n'est pas en service, le palan à chaîne doit être bloqué pour empêcher toute utilisation interdite ou injustifiée.
31. Ne pas laisser une charge suspendue lorsque le palan n'est pas surveillé ni en service.
32. Ne fonctionnez jamais si la chaîne est restreinte d'une ligne droite à la charge

### **INSTALLATION ET EXPLOITATION**

Avant d'installer ou de mettre palan à utiliser, vérifier les lois locales ou autres, compris l'American National Standards Institute et / ou les règlements de l'OSHA, qui peuvent être d'application à l'utilisation du treuil alimenté manuellement la chaîne de levier dans votre application. Familiariser les opérateurs et le personnel responsable de l'installation du treuil et le service avec les spécifications ASME B30.16 et avec ce manuel avant de placer l'unité en service. Toutes les exigences de cette spécification, compris les tests, doivent être respectées avant d'approuver le palan pour l'opération.

#### **Palan neuf, altéré ou modifié**

Inspecter et tester par un personnel qualifié en matière de sécurité le fonctionnement et l'entretien de cet type d'équipement pour assurer un fonctionnement en toute sécurité à la capacité nominale de la charge de travail avant la mise en service.

#### **Avant de l'utilisation du palan**

1. Assurez que tous les avertissements précédents soient respectées et la charge à soulever est inférieure à la limite de charge nominale WLL.
2. Fixez le crochet supérieur à une structure suffisante ou de gréement pour gérer la capacité de chargement du palan, et assurez-vous que le crochet de verrouillage est fermé. **Le palan peut être utilisé dans toutes les orientations à condition qu'une ligne droite libre est formée entre les crochets.**
3. Vérifiez que la chaîne de levage est une longueur suffisante pour abaisser la charge sans tirer sur la butée ample de l'arrêt d'ancrage (17). L'arrêt d'ancrage n'est pas destiné à prévenir la chaîne de se retirer du palan lorsqu'il est chargé et force est appliquée à la main pour descendre la charge.
4. Au vu de la fin de chaîne manuelle du palan, tirez sur la chaîne de la main gauche pour abaisser le crochet ou tirez sur la chaîne de la main droite pour élever le crochet. Fixez le crochet à la charge manuellement.

#### **Élévation de la charge**

1. Au vu de la fin de chaîne manuelle du palan, tirez sur la chaîne de la main droite pour élever la charge. Élevez toujours la charge une fraction d'un pouce et puis arrêter pour vérifier la capacité de rétention du frein, puis continuer l'ascension.

#### **Descent ou libération de la charge**

1. Au vu de la fin de chaîne manuelle du palan, tirez sur la chaîne de la main gauche pour abaisser le crochet. Ne continuez pas à baisser le treuil si la longueur de chaîne est trop court et il n'y a pas de mou au raccordement à l'ancre d'arrêt (17). Le palan peut être endommagé et la charge perdue.

#### **Entreposage du palan**

1. Toujours entreposer le palan sans charge suspendue.

2. Nettoyer toute poussière ou eau accumulée et le suspendre dans un lieu sec.
3. Huiler la chaîne, les goupilles et tenons de verrouillage du crochet.
4. Avant de remettre le palan en service, suivre les instructions concernant les palans qui ne sont pas utilisés régulièrement, dans la rubrique

## INSPECTION

Le matériel fonctionnant de façon régulière doit être inspecté fréquemment et périodiquement. Par inspections fréquentes, on entend examens visuels effectués par les opérateurs ou le personnel de service durant le fonctionnement normal du palan. Les inspections périodiques sont celles effectuées, de façon rigoureuse, par un personnel formé à l'inspection et à la maintenance du palan. Une inspection minutieuse régulière permet de déceler, au plus tôt, les conditions de danger potentiel et de prendre des mesures correctives avant qu'il ne soit trop tard. Les défauts révélés durant l'inspection ou remarqués au cours du fonctionnement, doivent être signalés à une personne désignée. Il doit alors être déterminé si le défaut constitue un danger pour la sécurité avant de reprendre l'utilisation du palan.

### Registres et rapports

Pour chaque palan, un registre d'inspection doit être tenu, sous une forme ou une autre, faisant état de tous les points nécessitant une inspection périodique. Un rapport écrit doit être effectué chaque mois sur la condition des pièces critiques de chaque palan. Ces rapports doivent être datés, signé par la personne ayant effectué l'inspection et classés de manière à être disponibles pour examen.

### Inspection fréquente

Sur un palan en service continu, des inspections fréquentes doivent être effectuées au début de chaque journée de travail. En outre, des inspections visuelles doivent être menées au cours de l'utilisation normale pour déterminer toute détérioration ou signe de fonctionnement défectueux.

1. FONCTIONNEMENT. S'assurer de l'absence de tout défaut visuel ou bruit anormal qui pourrait indiquer un problème potentiel. Ne pas utiliser le palan si la chaîne ne passe pas normalement dans le palan et au-travers du bloc du crochet. Etre attentif à tout cliquetis, grippage ou fonctionnement défectueux. Le cliquetis du dispositif d'encliquetage est normal lorsque la charge est soulevée. Si la chaîne se grippe, sautille, ou est particulièrement bruyante, la nettoyer et la graisser. Si le problème persiste, renvoyer le palan au centre de après-vente **AMH** le plus proche. Ne pas faire fonctionner le palan tant que les problèmes n'ont pas tous été corrigés. Vérifier que la chaîne manuelle se déplace librement et sans grippage ou résistance excessive. Le crochet doit s'arrêter lorsque la chaîne manuelle s'immobilise.
2. LINGUET DU CROCHET. Vérifier le fonctionnement du linguet du crochet. Le remplacer s'il est cassé ou absent.
3. CROCHETS. Vérifier tout signe d'usure ou de détérioration, d'ouverture excessive, de cintrage de la tige ou d'ouverture latérale du crochet. Remplacer les crochets dont l'ouverture est supérieure à la valeur indiquée (15%) au tableau 1 (schéma de réf. H-01) ou supérieure à une ouverture latérale de 10° (schéma de réf. H-01). Si le linguet du crochet s'enclenche au-delà de la pointe du crochet, ce dernier est tordu et doit être remplacé. Vérifier que les crochets pivotent aisément et sans retenue. Réparer ou graisser au besoin.
4. CHAÎNE. (Schéma de réf. C-01) Examiner chacun des maillons pour déceler tout cintrage, fissures dans les zones soudées ou les rebords, piqûres, striation (lignes parallèles minuscules) et usure de la chaîne, dont les surfaces portantes entre les maillons. Remplacer toute chaîne qui ne satisfait pas à l'un des examens. Vérifier le graissage. Voir le paragraphe intitulé «Chaîne» à la rubrique «LUBRIFICATION».
5. PASSAGE DE LA CHAÎNE DANS LA NOIX.

Assurez-vous que les soudures sur les liens permanents sont loin de la charge de référence poulie (Dwg. C-02). Remonter la chaîne si nécessaire. Vérifier que le dernier maillon de la chaîne est solidement accroché. S'assurer que la chaîne n'est ni vrillée, ni tordue ni entortillée. Corriger au besoin.

### Inspection périodique

La fréquence des inspections périodiques dépend essentiellement de l'utilisation:

<b>NORMALE</b>	<b>IMPORTANTE</b>	<b>INTENSE</b>
une fois par an	deux fois par an	une fois tous les trois mois

Une utilisation **IMPORTANTE** ou **INTENSE** peut nécessiter le démontage de l'unité. Conserver tous les rapports écrits des inspections périodiques pour établir une base pour une évaluation continue.

Inspecter tous les éléments évoqués à la rubrique «Inspection fréquente». Inspectez également:

1. **ELEMENTS DE FIXATION.** Vérifier les rivets, boulons à tête, écrous, clavettes d'arrêt et autres pièces d'assemblage sur les crochets, le corps du palan et le récupérateur de chaîne, si utilisé. Remplacer les pièces manquantes et resserrer ou fixer celles qui sont lâches.
2. **TOUTS LES COMPOSANTS.** Vérifier l'absence de toute usure, détérioration, distorsion, déformation et non propreté. Si l'état extérieur nécessite une inspection plus poussée, ramener le palan au centre de réparation **AMH** le plus proche.
3. **CROCHETS.** Vérifier l'absence de toute fissure au niveau des crochets. Utiliser la méthode par poudre magnétique ou par fluorométrie pour vérifier la présence de fissures. Inspecter les pièces de retenue des crochets. Resserrer ou réparer, au besoin. Se reporter aux spécifications applicables pour toute information supplémentaire sur l'inspection plus poussée des crochets.
4. **NOIX DE CHAINE.** Vérifier l'absence de toute détérioration ou usure excessive. Remplacer les pièces endommagées. Si le palan présente des signes de dommages ou d'usure, le renvoyer au centre de service après-vente **AMH** le plus proche.
5. **.CHAINE DE CHARGE.** Vérifier l'élongation de la chaîne en mesurant des sections de cinq maillons, sur toute sa longueur (Schéma de réf. C01). Lorsque l'ensemble des cinq maillons formant la longueur utile atteint ou iquée sur le tableau, remplacer la chaîne toute entière. Assurez la chaîne de levage est installée avec le côté de la soudure, de liens de l'écart de la roue d'entraînement dans le treuil. Si la chaîne n'est pas installée correctement, puis réinstallez de référence (Dwg. C-02). Toujours utiliser une chaîne de rechange **AMH** d'origine.
6. **FREINS.** Soulever une charge égale à la capacité nominale du palan à quelques centimètres (pouces) du sol. Vérifier que le palan supporte la charge sans glisser. Si c'est le cas, contacter votre centre de réparation le plus proche.
7. **STRUCTURE PORTANTE.** Si une structure permanente est utilisée, vérifier sa capacité à supporter les charges.
8. **ETIQUETTES DIVERSES.** Vérifier leur présence et leur lisibilité. Remplacer au besoin.
9. **ANCRAGE D'EXTREMITE.** S'assurer que l'ancrage d'extrémité du palan est en place et non cintré. Réparer si endommagé, remplacer si absent.

#### **Palans utilisés de façon non régulière**

1. Un palan qui n'a pas été utilisé pendant un mois ou plus, mais depuis moins d'une année, doit être inspecté selon les consignes de la rubrique «Inspection fréquente», avant d'être remis en service.
2. Un palan qui n'a pas été utilisé depuis plus d'une année doit être inspecté complètement selon les consignes de la rubrique «Inspection périodique», avant d'être remis en service.
3. Les palans de réserve doivent être inspectés au moins deux fois par an, conformément aux consignes de la rubrique «Inspection fréquente». En cas de fonctionnement en conditions particulières, le matériel doit être inspecté plus fréquemment.

## GRAISSAGE

### Généralités

L'utilisation d'un lubrifiant pour filets ou d'un agent anti grippant est recommandée pour les composants filetés. Sauf indications contraires, retirer l'ancien lubrifiant, nettoyer la pièce avec un solvant sans acide et appliquer une nouvelle couche de lubrifiant à la pièce avant assemblage.

### Engrenages

Dévisser les écrous du côté opposé au palan, au niveau de la chaîne manuelle, et déposer le couvercle du carter d'engrenages et la plaque de support. Retirer l'ancien lubrifiant et le remplacer par de la graisse neuve. Pour des températures comprises entre -29° et 10°C (-20° et 50°F), utiliser la graisse EP 1 ou équivalente. Pour des températures comprises entre -1° et 49°C (30° et 120°F), utiliser la graisse EP 2 ou équivalente.

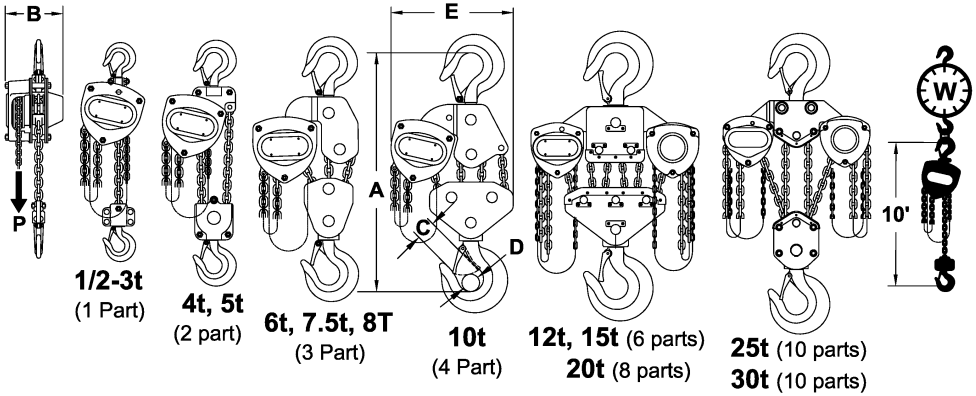
### Chaîne de charge

1. Graisser chaque maillon de la chaîne de charge une fois par semaine. Appliquer du lubrifiant neuf sur la couche existante.
2. En cas d'utilisation intense ou de milieu corrosif, graisser plus fréquemment que la normale.
3. Graisser le crocher et les points de pivot du linguet de ce dernier avec le même produit utilisé pour la chaîne de charge.
4. Pour retirer la rouille ou les dépôts de poussière abrasive, nettoyer la chaîne avec un solvant sans acide. Après le nettoyage, graisser la chaîne.
5. Utiliser huile EP SAE 50 à 90.

### GARANTIE LIMITEE A 1 ANNEE

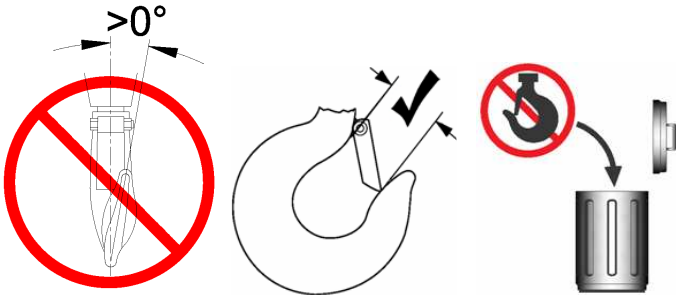
Nous faisons chaque effort pour assurer que nos produits rencontrent les normes de qualité supérieure et durabilité et nous méritons au consommateur original de nos produits que chaque produit est libre des défauts dans le matériel et de l'exécution comme suit : Garantie limitée à 1 année sur tous nos produits. La garantie n'applique pas au dû de défauts directement ou indirectement employer improprement, la négligence ou les accidents, les réparations ou les changements hors de nos facilités ou à un manque d'entretien. Nous limitons toutes garanties à la période spécifiée au-dessus de la date que le produit a été acheté au détail. S'il vous plaît retenir votre reçu démodé de ventes comme la preuve d'achat pour valider la période de garantie. Sauf comme affirmé en ceci, les garanties ou la valeur marchande et la santé implicites sont exclus. Quelques-uns déclarent ne permet pas de limitation sur comment longtemps la garantie dure ; donc la limitation ci-dessus mentionnée ne peut pas vous vous appliquer. Nous ferons dans aucun événement est responsable de la mort, les blessures aux personnes ou à la propriété ou pour les dommages accessoires, contingents, spéciaux ou conséquents résultant de l'usage de nos produits. Quelques-uns déclarent ne permet pas les exclusions ou la limitation de dommages accessoires ou conséquents ; donc les limitations ci-dessus mentionnées ou les exclusions ne peuvent pas vous vous appliquer. Pour profiter de cette garantie, le produit doit s'être retourné pour l'examen, l'affranchissement payé d'avance à une station-service autorisée. La preuve de date d'achat et une explication de la plainte doit accompagner le produit. Si notre inspection dévoile un défaut nous ou réparera ou remplacera le produit ou rembourse le prix d'achat, si nous ne pouvons pas fournir rapidement une réparation ou un remplacement, si vous voulez accepter un tel remboursement. Nous retournerons des produits réparés ou le remplacement à notre dépense, mais si nous trouvons qu'il n'y a pas de défaut, ou que le défaut a résulté des causes pas dans l'étendue de cette garantie, alors l'utilisateur doit porter le coût de retourner le produit. Cette garantie vous donne des droits légaux spécifiques, et vous pouvez avoir aussi d'autres droits qui varient de l'état déclaré.





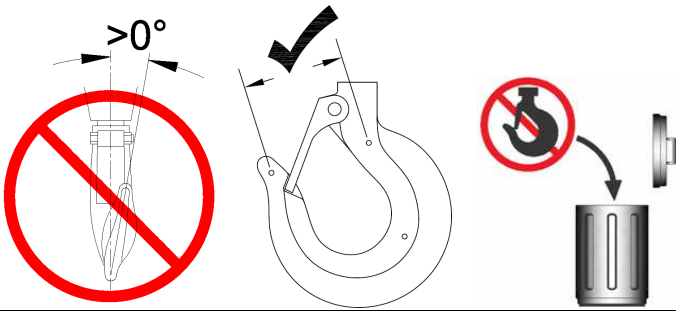
**DIMENSIONS (Inches and Pounds)**

Model	Capacity (WLL)	Parts	A	B	C	D	E	P (Lbs)	W (Lbs)
MA005	1/2t / 1100 lbs	1	13.8	5.4	0.95	0.84	5.7	56	20
MA010	1t / 2200 lbs	1	15.1	6.1	1.13	1.04	6.3	64	26
MA015	1 1/2t / 3300 lbs	1	17.4	6.9	1.30	1.15	7.2	69	36
MA020	2t / 4400 lbs	1	19.1	7.0	1.46	1.35	8	77	44
MA030	3t / 6600 lbs	1	21.8	8.1	1.65	1.41	10	84	72
MA040	4t / 8800 lbs	2	27.1	7.4	1.81	1.74	9.8	67	93
MA050	5t / 11000 lbs	2	27.1	7.4	1.81	1.74	9.8	84	93
MA060	6t / 13200 lbs	3	27.2	7.4	1.81	1.74	16.9	66	136
MA075	7.5t / 16500 lbs	3	27.2	7.4	2.06	2.24	16.9	83	136
MA080	8T / 16000 lbs	3	27.2	7.4	2.06	2.24	16.9	80	136
MA100	10t / 22000 lbs	4	30.1	7.4	2.06	2.24	18.1	86	165
MA120	12t / 26400 lbs	6	35.4	7.9	3.21	2.66	28.3	2x68	332
MA150	15t / 33000 lbs	6	35.4	7.9	3.21	2.66	28.3	2x85	332
MA200	20t / 44000 lbs	8	37.4	7.9	3.21	2.66	33.5	2x86	422
MA250	25t / 55000 lbs	10	45.3	14.5	3.21	2.66	27.5	2x89	TBA
MA300	30t / 66000 lbs	10	45.3	15.3	3.21	2.66	29.5	2x87	TBA

**H-01**

<b>SERIAL # &lt; 12G1562-09</b>					
MA005	1/2t	1.01 in	(25.6 mm)	1.02 in	(25.9 mm)
MA010	1t	1.24 in	(31.5 mm)	1.25 in	(31.8 mm)
MA015	1 1/2t	1.39 in	(35.4 mm)	1.41 in	(35.8 mm)
MA020	2t	1.56 in	(39.6 mm)	1.57 in	(40 mm)
MA030	3t	1.72 in	(43.7 mm)	1.74 in	(44.2 mm)
MA040	4t	1.87 in	(47.6 mm)	1.89 in	(48.1 mm)
MA050	5t	1.87 in	(47.6 mm)	1.89 in	(48.1 mm)
<b>All Hooks &gt; 5t</b>					
MA060	6t	2.21 in	(56.2 mm)	2.24 in	(56.9 mm)
MA075	7 1/2t	2.21 in	(56.2 mm)	2.24 in	(56.9 mm)
MA080	8T	2.21 in	(56.2 mm)	2.24 in	(56.9 mm)
MA100	10t	2.21 in	(56.2 mm)	2.24 in	(56.9 mm)
MA120	12t	3.35 in	(85 mm)	3.39 in	(86 mm)
MA150	15t	3.35 in	(85 mm)	3.39 in	(86 mm)
MA200	20t	3.35 in	(85 mm)	3.39 in	(86 mm)
MA250	25t	3.35 in	(85 mm)	3.39 in	(86 mm)
MA300	30t	3.35 in	(85 mm)	3.39 in	(86 mm)

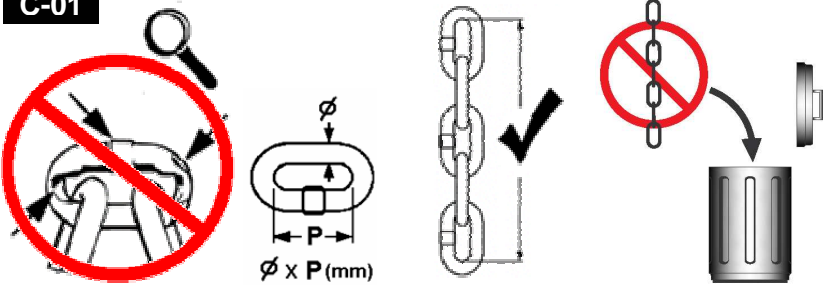
H-01



**SERIAL #  $\geq$  12G1562-09**

MA005	1/2t	1.56 in (39.7 mm)	1.57 in (40 mm)
MA010	1t	1.74 in (44.2 mm)	1.75 in (44.5 mm)
MA015	1 1/2t	2.08 in (52.9 mm)	2.10 in (53.3 mm)
MA020	2t	2.17 in (55 mm)	2.18 in (55.4 mm)
MA030	3t	2.64 in (67.1 mm)	2.66 in (67.6 mm)
MA040	4t	2.89 in (73.4 mm)	2.91 in (73.9 mm)
MA050	5t	2.89 in (73.4 mm)	2.91 in (73.9 mm)

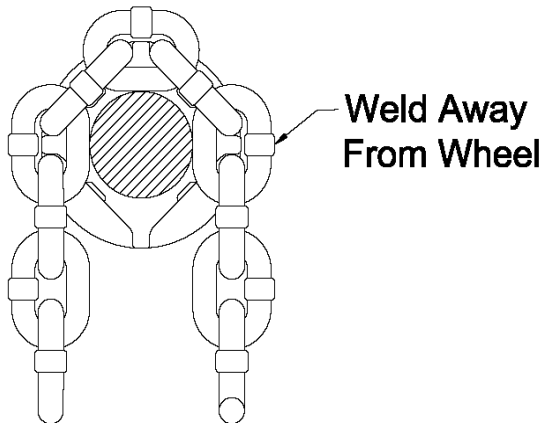
**C-01**

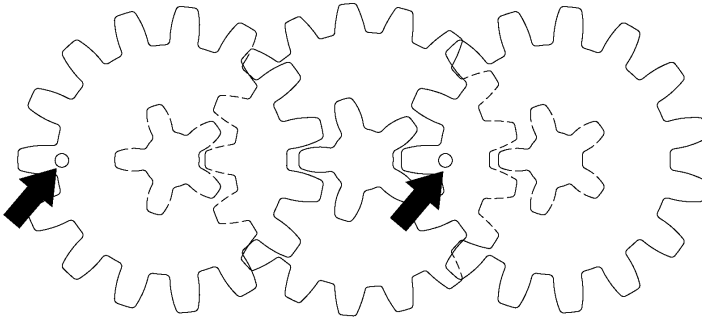


MA005	1/2t	5 x 15	2.95 in (75 mm)	3.03 in (76.9 mm)
MA010	1t	6 x 18	3.55 in (90 mm)	3.64 in (92.3 mm)
MA015	1 1/2t	7.1 x 21	4.13 in (105 mm)	4.24 in (107.6 mm)
MA020	2t	8 x 24	4.72 in (120 mm)	4.84 in (123.0 mm)
MA030	3t	10 x 28	5.51 in (140 mm)	5.65 in (143.6 mm)
MA040	4t	9 x 27	5.32 in. (135 mm)	5.45 in. (138.4 mm)
MA050	5t	9 x 27	5.32 in. (135 mm)	5.45 in. (138.4 mm)
MA060	6t	9 x 27	5.32 in. (135 mm)	5.45 in. (138.4 mm)
MA075	7 1/2t	9 x 27	5.32 in. (135 mm)	5.45 in. (138.4 mm)
MA080	8T	9 x 27	5.32 in. (135 mm)	5.45 in. (138.4 mm)
MA100	10t	9 x 27	5.32 in. (135 mm)	5.45 in. (138.4 mm)
MA120	12t	9 x 27	5.32 in. (135 mm)	5.45 in. (138.4 mm)
MA150	15t	9 x 27	5.32 in. (135 mm)	5.45 in. (138.4 mm)
MA200	20t	9 x 27	5.32 in. (135 mm)	5.45 in. (138.4 mm)
MA250	25t	9 x 27	5.32 in. (135 mm)	5.45 in. (138.4 mm)
MA300	30t	10 x 28	5.51 in (140 mm)	5.65 in (143.6 mm)

**C-02**

**Hoist Drive  
Wheel Only**



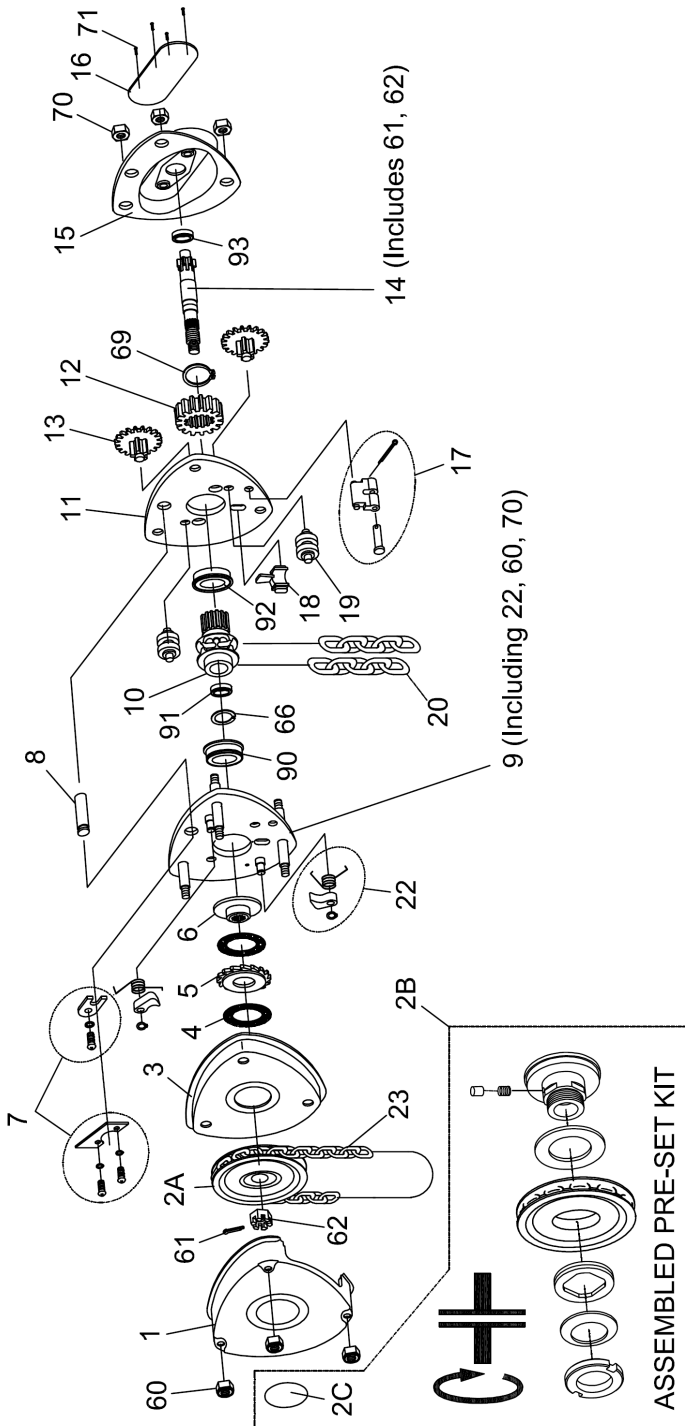


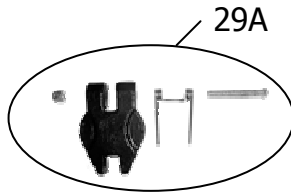
**Overload Protection Adjustment Tools**

**Part # TOOLS-OP**

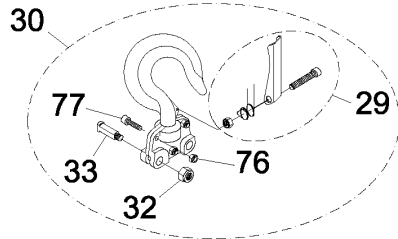
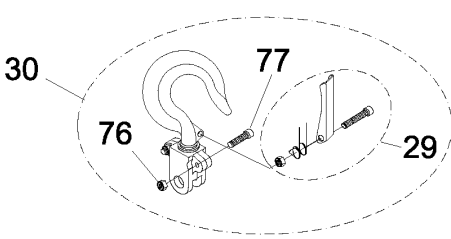
**(Includes 2 size tools for adjustment of  
all LA and MA series hoist)**







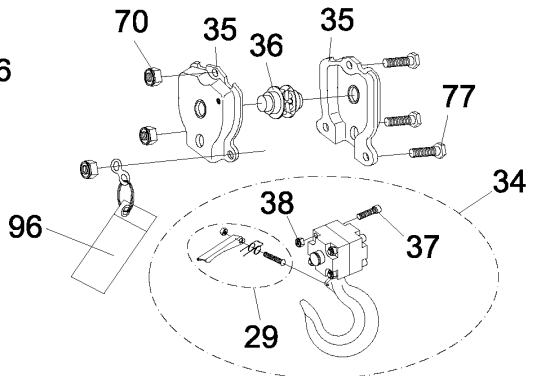
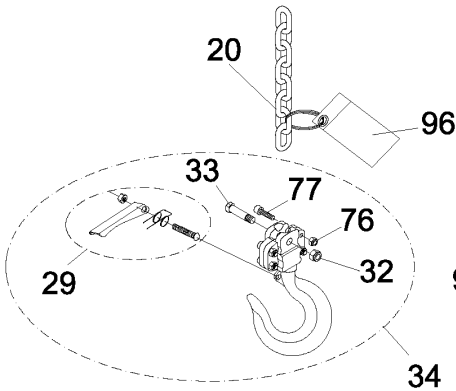
Cast Latch Kit for 1/2 -5t hoist with  
Serial # ≥ 12G1562-09

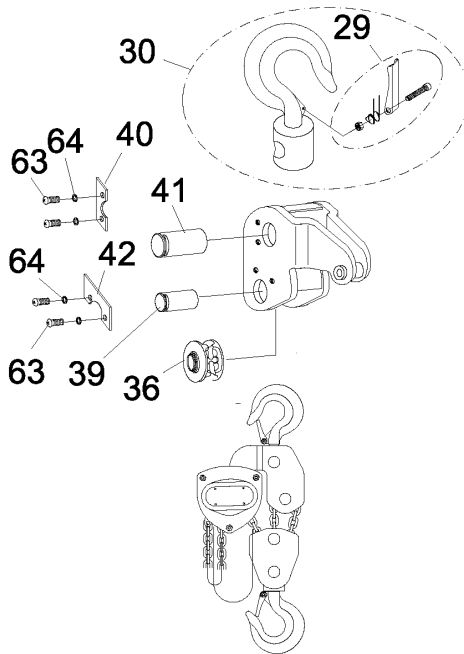


**1/2t-3t (1 part)**

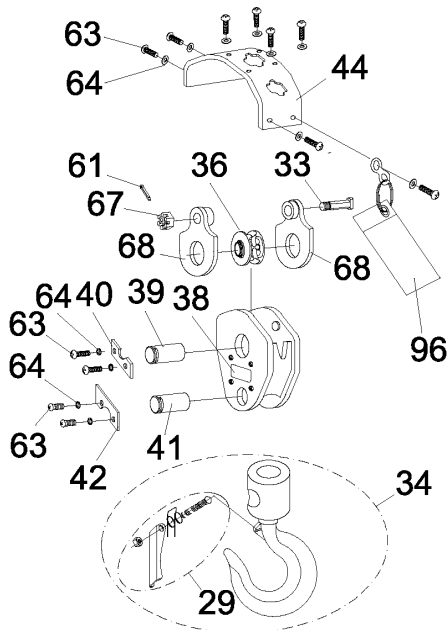


**4-5t (2 part)**

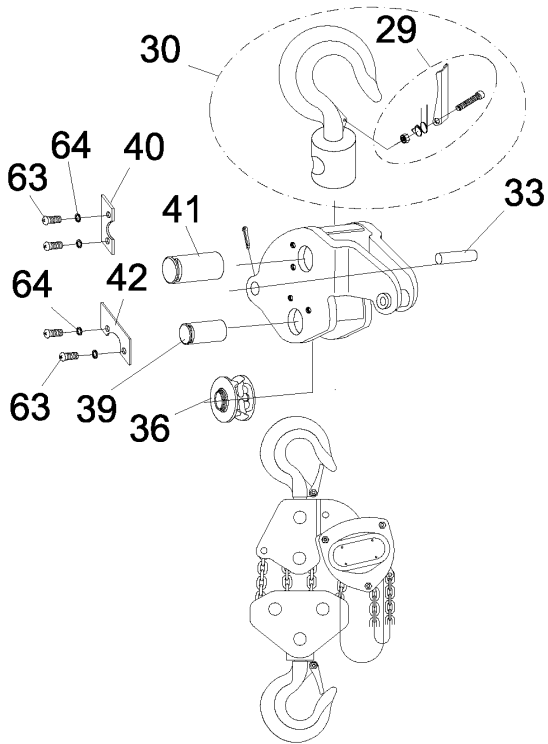




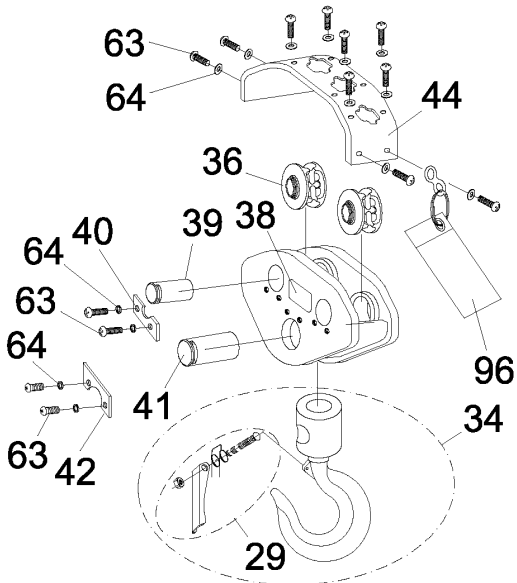
## 6t, 7.5t, 8T (3 parts)







# 10t (4 parts)







#	MA005 1/2t	MA010	MA015	MA020	MA030	MA040	MA050
	1/2t (1 Part)	1t (1 Part)	1.5t (1 Part)	2t (1 Part)	3t (1 Part)	4t (2 Part)	5t (2 Part)
1	MA005-1	MA010-1	MA015-1	MA020-1	MA030-1	MA050-1	
2A	MA005-2A	MA010-2A	MA015-2A	MA020-2A	MA030-2A	MA050-2A	
2B	MA005-2B	MA010-2B	MA015-2B	MA020-2B	MA030-2B	MA040-2B	MA050-2B
2C	LBL-MA-C						
3	MA005-3	MA010-3	MA015-3	MA020-3	MA030-3	MA050-3	
*4	MA010-4			MA020-4			
*5	MA010-5			MA020-5			
6	MA010-6			MA020-6	MA030-6	MA050-6	
7	MA005-7	MA010-7	MA015-7	MA020-7	MA030-7	MA050-7	
8	MA005-8	MA010-8	MA015-8	MA020-8	MA030-8	MA050-8	
9	MA005-9	MA010-9	MA015-9	MA020-9	MA030-9	MA050-9	
10	MA005-10	MA010-10	MA015-10	MA020-10	MA030-10	MA050-10	
11	MA005-11	MA010-11	MA015-11	MA020-11	MA030-11	MA050-11	
12	MA005-12	MA010-12	MA015-12	MA020-12	MA030-12	MA050-12	
13	MA005-13	MA010-13	MA015-13	MA020-13	MA030-13	MA050-13	
14	MA005-14	MA010-14	MA015-14	MA020-14	MA030-14	MA050-14	
15	MA005-15	MA010-15	MA015-15	MA020-15	MA030-15	MA050-15	
16	NPL-MA005	NPL-MA010	NPL-MA015	NPL-MA020	NPL-MA030	NPL-MA040	NPL-MA050
17	MA005-17	MA010-17	MA015-17	MA020-17	MA030-17	MA050-17	
18	MA005-18	MA010-18	MA015-18	MA020-18	MA030-18	MA050-18	
19	MA005-19	MA010-19	MA015-19	MA020-19	MA030-19	MA050-19	
20	C5X15Z	C6X18Z	C7X21Z	C8X24Z	C10X28Z	C9X27Z	
*22	MA010-K22				MA030-K22	MA010-K22	
23	C5X24Z						
*29	MA005-29	MA010-29	MA015-29	MA020-29	MA030-29	MA050-29	
*29A	MA005-29A	MA010-29A	MA015-29A	MA020-29A	MA030-29A	MA050-29A	
30	MA005-30	MA010-30	MA015-30	MA020-30	MA030-30	MA050-30	

\* Recommended, Recomendé, Recomendado

#	MA005 1/2t	MA010	MA015	MA020	MA030	MA040	MA050
	1/2t (1 Part)	1t (1 Part)	1 1/2t (1 Part)	2t (1 Part)	3t (1 Part)	4t (2 Part)	5t (2 Part)
32	M5 NUT LOCK		M6 NUT LOCK		M8 NUT LOCK	M12 NUT LOCK	
33	MA005-33	MA010-33	MA015-33	MA020-33	MA030-33	MA050-33	
*34	MA005-34C	MA010-34C	MA015-34C	MA020-34C	MA030-34C	MA050-34C	
35						MA050-35	
36						MA050-36	
37						M12X25 CSKHD	
38						M12 NUT LOCK	
60	M6 NUT LOCK	M8 NUT LOCK			M10 NUT LOCK		
*61	M2.5X25 COTTER				M3.2X28 COTTER	M2.5X25 COTTER	
62	M10 NUT CASTLE-9				M12 NUT CASTLE-10	M10 NUT CASTLE-9	
63	M6X10 RNDHD						
64	M6 WASHER LOCK						
*65	10MM RING EXT						
*66		22MM RING INT			24MM RING INT	22MM RING INT	
*69	25MM RING EXT		30MM RING EXT		45MM RING EXT	34MM RING EXT	
70	M8 NUT LOCK	M10 NUT LOCK			M12 NUT LOCK		
71	M2.5X6 SCREW DRIVE						
76	M5 NUT LOCK	M6 NUT LOCK			M8 NUT LOCK	M12 NUT LOCK	
77	M5X18 CSKHD	M6X22 CSKHD		M6X25 CSKHD	M8X30 CSKHD	M12X25 HEXHD	
*90	MA005-90	MA010-90	MA015-90	MA020-90	MA030-90	MA050-90	
*91	MA005-91	MA010-91	MA015-91	MA020-91	MA030-91	MA050-91	
*92	MA005-92	MA010-92	MA015-92	MA020-92	MA030-92	MA050-92	
*93		MA010-93	MA015-93	MA020-93	MA030-93	MA050-93	
*96	WARN-M						

\* Recommended, Recomendé, Recomendado

	MA060 6t (3 Part)	MA075 7.5t (3 Part)	MA080 8T (3 Part)	MA100 10t (4 Part)	MA120 12t (6 Part)	MA150 15t (6 Part)	MA200 20t (8 Part)	MA250 25t (10 Part)	MA300 30t (10 Part)
1	MA050-1								MA030-1
2A	MA050-2A								MA030-2A
2B	MA060-2B	MA075-2B	MA100-2B	MA120-2B	MA150-2B	MA200-2B	MA250-2B	MA300-2B	
2C	LBL-MA-C								
3	MA050-3								MA030-3
*4	MA020-4								
*5	MA020-5								
*6	MA020-6								MA030-6
7	MA050-7								MA030-7
8	MA050-8								MA030-8
9	MA050-9								MA030-9
10	MA050-10								MA030-10
11	MA050-11								MA030-11
12	MA050-12								MA030-12
13	MA050-13								MA030-13
14	MA050-14								MA030-14
15	MA050-15								MA030-15
16	NPL-MA000								
17	MA050-17								MA030-17
18	MA050-18								MA030-18
19	MA050-19								MA030-19
20	C9X27Z								C10X28Z
*21	MA010-21								MA030-21
22	MA010-22								MA030-22
23	C5X24Z								
*29	MA075-29		MA100-29	MA300-29					
30	MA075-30		MA100-30	MA150-30	MA200-30	MA250-30	MA300-30		
33	MA075-33		MA100-33						
34	MA075-34		MA100-34	MA150-34	MA200-34	MA250-34	MA300-34		
36	MA075-36			MA150-36			MA250-36	MA300-36	

\* Recommended, Recomandé, Recomendado

	MA060	MA075	MA080	MA100	MA120	MA150	MA200	MA250	MA300
	6t (3 Part)	7.5t (3 Part)	8T (3 Part)	10t (4 Part)	12t (6 Part)	15t (6 Part)	20t (8 Part)	25t (10 Part)	30t (10 Part)
37								MA250-37	MA300-37
38	NPL-MA060LB	NPL-MA075LB	NPL-MA080LB	NPL-MA100LB	NPL-MA120LB	NPL-MA150LB	NPL-MA200LB	NPL-MA250LB	NPL-MA300LB
39	MA075-39				MA150-39			MA250-39	MA300-39
40	MA075-40				MA150-40			32MM RING EXT	
41	MA075-41			MA100-41	MA150-41		MA200-41	MA250-41	MA300-41
42	MA075-42			MA100-42	MA150-42		MA200-42	48MM RING EXT	
43					MA150-43		MA200-43	MA250-43	MA300-43
44	MA075-44			MA100-44	MA150-44		MA200-44	MA250-44	MA300-44
60	M10 NUT LOCK								
61	M2.5X25 COTTER								M3.2X28 COTTER
62	M10 NUT CASTLE-9								M12 NUT CASTLE-10
63	M6X10 RNDHD								
64	M6 WASHER LOCK								
*65	10MM RING EXT								
66	22MM RING INT								
67	M12 NUT LOCK							MA250-67	MA300-67
68	MA075-68							MA250-68	MA300-68
*69	34MM RING EXT								
70	M12 NUT LOCK								
71	MA005-71								
72	M2.5X20 COTTER								M 3.2X28 COTTER
73	MA050-73								MA030-73
76					M10X70 CSKHD		M12X75 CSKHD	MA250-76	MA300-76
77					M10 NUT LOCK		M12 NUT LOCK	MA250-77	MA300-77
90	MA050-90								MA030-90
91	MA050-91								MA030-91
92	MA050-92								MA030-92
93	MA050-93								
*96	WARN-M								

\* Recommended, Recomendé, Recomendado

**DECLARATION OF CONFORMITY**

**(ES)** DECLARACIÓN DE CONFORMIDAD

**(FR)** CERTIFICAT DE CONFORMITÉ,

All Material Handling

920 North Franklin Suite 201  
Chicago, IL 60610

Supplier's Name:

**(ES)** nombre del proveedor

**(FR)** nom du fournisseur

Address:

**(ES)** domicilio

**(FR)** adresse

Declare under our sole responsibility that the product:: Hoist Models MA

**(ES)** Declaramos que, bajo nuestra responsabilidad exclusiva, el producto: Torno Modelo MA

**(FR)** Déclarons sous notre seule responsabilité que le produit: Grue Modele MA

To which this declaration relates, is in compliance with provisions of  
**ASME B30.16** and Directives: **98/37/EC**

**(ES)** a los que se refiere la presente declaración, cumplen con todo lo establecido en las **ASME B30.16** y directivas: **98/37/EC**

**(FR)** objet de ce certificat, est conforme aux prescriptions des **ASME B30.16** et Directives: **98/37/EC**

Serial Number Range:

**L Models > 00J00000-07 Date: August, 2007**    **MA Models > 00G00000-08 Date: March, 2008**

**(ES)** Gama de No. de Serie: > 00G00000-08 Date: March, 2008

**(FR)** No. Serie: > 00G00000-08 Date: March, 2008

Approved By:

Alex Lu  
Factory Director

**(FR)** Approuvé par:

**(ES)** Aprobado por:

*Alex Lu*



[www.allmaterialhandling.com](http://www.allmaterialhandling.com)