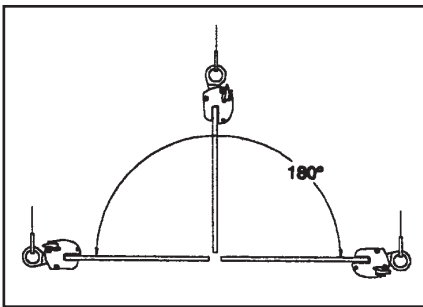


# SAFETY CLAMPS INC. LIFTING CLAMPS



## MODEL VL

Horizontal to vertical lift. Capable of turning a single steel plate from horizontal to vertical to horizontal through a 180° arc. Locks open and closed, to facilitate loading and unloading clamp. Locks closed onto material for a more secure lift. Gripping cams, 2 through 20 ton lift capacities incorporate dual gripping cams. Increases grip on load for a more secure lift. Self aligning pivoting die for increased surface contact between load and clamp. Wide jaw openings within rated lift capacity. High strength shock resistant steel provides for longer clamp life. Working parts enclosed. Protects parts for longer use.

CODE NO.	RATED CAPACITY (TONS)	GRIP OPENING (IN.)	WEIGHT (LBS.)
AVL1/2	1/2	0 - 7/8	10
AVL1	1	0 - 7/8	10
VL1/2	1/2	0 - 1-3/8	10
VL1	1	0 - 1-3/8	10
VL2S	2	0 - 1-5/8	23
VL2L	2	1-1/2 - 2-3/4	25
VL3S	3	0 - 1-5/8	27
VL3L	3	1-1/2 - 2-3/4	29
VL4S	4	0 - 1-1/8	45
VL4M	4	2 - 3-3/4	47
VL4L	4	3-3/4 - 5-1/2	49
VL6S	6	0 - 2-1/8	49
VL6M	6	2 - 3-3/4	50
VL6L	6	3 - 5-1/2	53
VL8S	8	0 - 2-5/8	60
VL8M	8	2-1/2 - 4-1/2	67
VL8L	8	4-1/2 - 6-1/2	74
VL10S	10	0 - 2-5/8	72
VL10M	10	2-1/2 - 4-1/2	80
VL10L	10	4-1/2 - 6-1/2	88
VL12S	12	1/2 - 3-1/8	92
VL12M	12	3 - 5-1/4	101
VL12L	12	5 - 7-1/4	112
VL20S	20	1/2 - 4-1/4	302
VL20M	20	4 - 7	322
VL20L	20	7 - 10	345

## INSPECTION MAINTENANCE AND REPAIR

It is important to establish a regular procedure for clamp inspection. Frequency of inspection will depend upon the amount of use the clamp receives, and may well vary from one department or area to another. Merrill clamps are built to withstand rough treatment. Grit, dirt, sludge and mud should be removed, however. This may be done easily by immersing the entire clamp in a can of degreaser and leaving it there overnight. Also, periodic oiling of all pins and rivets will improve performance and help to extend the life of the clamp. You may wish to maintain a written record, indicating inspection dates, condition of the clamp on each of those dates, and any repairs made. Inspection records should be reviewed periodically.

## WARNING

1. Do not exceed Working Load Limit.
2. Inspect clamp before each lift.
3. Do not lift more than one plate or sheet at a time.
4. Position clamp to balance load.
5. Insert plate or unit to full depth of throat opening.
6. Lift slowly and smoothly. Do not jerk load.
7. Stand clear of load when lifting.
8. Do not use a damaged clamp.
9. Read manufacturer's instructions before using clamps.
10. Do not use any Merrill clamp to lift tapered plates or beams.
11. When lifting plates with a hardness over 43 Rockwell C/400 Brinnell, consult the clamp manufacturer.

## CAUTIONS

The clamps in this catalog are not intended to serve as a permanent connection to a plate or other object. The grip depends on friction and a camming action. If the gripping surfaces are not properly maintained and the clamp is improperly used, the load may fall. Use extreme caution where overhead lifting is involved or where a failure could cause property damage or personal injury. Read maintenance and use instructions.

**Many Other  
Styles and  
Sizes  
Available**