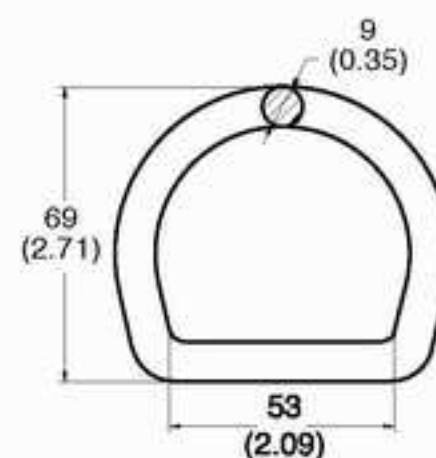


**Art. No. N-407**

**D – Ring**

Forged steel, heat treated  
 100% proof loaded to 3600 lbs / 16 kN  
 Min. Breaking load : 5000 lbs / 23 kN  
 Meets ANSI Z359.1 or CSA Z259.12  
 Net weight : 4.3 oz. / 121 g.



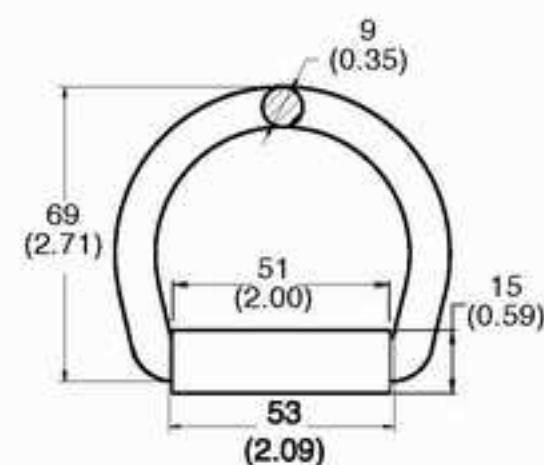
mm (inch)

yellow zinc

**Art. No. N-407R**

**Roller D – Ring**

Forged steel, heat treated  
 100% proof loaded to 3600 lbs / 16 kN  
 Min. Breaking load : 5000 lbs / 23 kN  
 Meets ANSI Z359.1 or CSA Z259.12  
 Net weight : 4.7 oz. / 121 g.



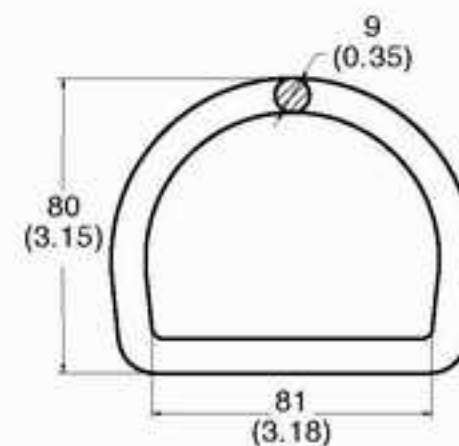
mm (inch)

yellow zinc

**Art. No. N-408**

**D – Ring**

Forged steel, heat treated  
 100% proof loaded to 3600 lbs / 16 kN  
 Min. Breaking load : 5000 lbs / 23 kN  
 Meets ANSI Z359.1 or CSA Z259.12  
 Net weight : 5.3 oz. / 150 g.



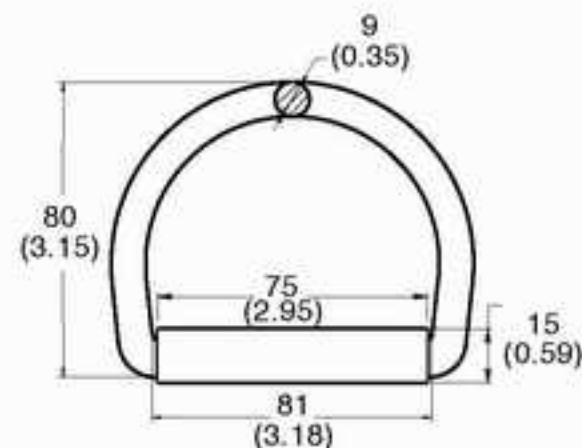
mm (inch)

yellow zinc

**Art. No. N-408R**

**Roller D – Ring**

Forged steel, heat treated  
 100% proof loaded to 3600 lbs / 16 kN  
 Min. Breaking load : 5000 lbs / 23 kN  
 Meets ANSI Z359.1 or CSA Z259.12  
 Net weight : 5.6 oz. / 160 g.



mm (inch)

yellow zinc