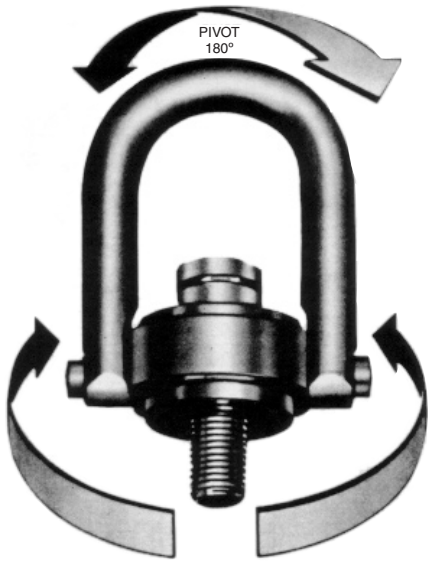
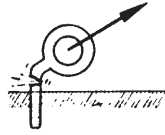


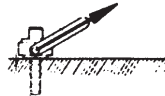
SWIVEL HOIST RINGS



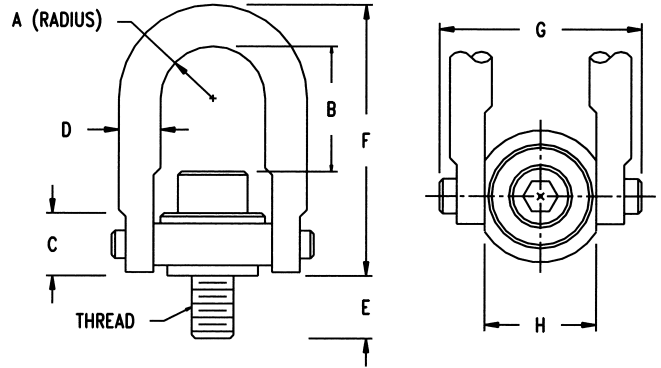
See what happens when heavy side loads are applied to a conventional eyebolt.



The same load applied to an American Safety Engineered Hoist Ring is translated into a primary tension load at the screw and normal to the screw axis.



The high tension loads are well within the designed safety limits of the stressed hoist ring.



Breaking Strength is 5 Times the Rated Load

Rated Loads (Lbs)	Thread Size	Standard U-Bar					Long U-Bar			G	H	Torque Ft#	Wt. (Lbs)		
		A	C	D	E	Part No.	B	F	Part No.					B	F
600	1/4-20	0.43	0.71	3/8	0.54	46100	1.27	2.67				1.84	1.00	6	0.3
800	5/16-18	0.43	0.71	3/8	0.29	46102	1.27	2.67				1.84	1.00	7	0.3
800	5/16-18	0.43	0.71	3/8	0.54	46104	1.27	2.67				1.84	1.00	7	0.3
1,000	3/8-16	0.43	0.71	3/8	0.54	46106	1.27	2.67				1.84	1.00	12	0.3
2,000	7/16-14	0.70	0.93	1/2	1.07	46606	1.90	3.77				2.58	1.49	22	1.0
2,500	1/2-13	0.70	0.93	1/2	1.07	46602	1.84	3.77				2.58	1.49	28	1.0
2,000	7/16-14	0.88	1.22	3/4	0.78	46000	2.37	4.78	46638	4.34	6.72	3.52	1.99	22	2.6
2,500	1/2-13	0.88	1.22	3/4	0.78	46008	2.31	4.78	46644	4.25	6.72	3.52	1.99	28	2.6
2,500	1/2-13	0.88	1.22	3/4	1.03	46010	2.31	4.78	46646	4.25	6.72	3.52	1.99	28	2.6
2,500	1/2-13	0.88	1.22	3/4	1.28	46012	2.31	4.78	46648	4.25	6.72	3.52	1.99	28	2.6
2,500	9/16-12	0.88	1.22	3/4	0.78	46007	2.25	4.78	46651	4.19	6.72	3.52	1.99	30	2.6
4,000	5/8-11	0.88	1.22	3/4	0.78	46002	2.18	4.78	46641	4.12	6.72	3.52	1.99	60	2.6
4,000	5/8-11	0.88	1.22	3/4	1.03	46004	2.18	4.78	46640	4.12	6.72	3.52	1.99	60	2.6
4,000	5/8-11	0.88	1.22	3/4	1.28	46006	2.18	4.78	46642	4.12	6.72	3.52	1.99	60	2.6
4,000	5/8-11	0.88	1.22	3/4	1.53	46005	2.18	4.78	46643	4.12	6.72	3.52	1.99	60	2.6
5,000	3/4-10	0.88	1.22	3/4	1.03	46014	2.06	4.78	46650	4.00	6.72	3.52	1.99	100	3.0
5,000	3/4-10	0.88	1.22	3/4	1.53	46018	2.06	4.78	46654	4.00	6.72	3.52	1.99	100	3.0
7,000	3/4-10	1.40	1.71	1	1.04	46204	3.06	6.52	46658	4.65	8.11	5.14	3.00	100	7.0
7,000	3/4-10	1.40	1.71	1	1.54	46206	3.06	6.52	46660	4.65	8.11	5.14	3.00	100	7.0
8,000	7/8-9	1.40	1.71	1	1.04	46202	2.93	6.52	46656	4.52	8.11	5.14	3.00	160	7.0
8,000	7/8-9	1.40	1.71	1	1.29	46203	2.93	6.52	46657	4.52	8.11	5.14	3.00	160	7.0
8,000	7/8-9	1.40	1.71	1	1.54	46205	2.93	6.52	46655	4.52	8.11	5.14	3.00	160	7.0
10,000	1-8	1.40	1.71	1	1.29	46210	2.81	6.52	46662	4.40	8.11	5.14	3.00	230	7.5
10,000	1-8	1.40	1.71	1	1.54	46212	2.81	6.52	46664	4.40	8.11	5.14	3.00	230	7.5
10,000	1-8	1.40	1.71	1	2.29	46214	2.81	6.52	46666	4.40	8.11	5.14	3.00	230	7.5
10,000	1 1/8-7	1.40	1.71	1	2.29	46216	2.69	6.52	46668	4.28	8.11	5.14	3.00	230	7.5
10,000	1 1/8-8	1.40	1.71	1	2.29	46217	2.69	6.52	46669	4.28	8.11	5.14	3.00	230	7.5
15,000	1 1/4-7	1.75	2.11	1-1/4	1.89	46802	4.12	8.73				6.50	3.76	470	14.0
15,000	1 1/4-8	1.75	2.11	1-1/4	1.89	46805	4.12	8.73				6.50	3.76	470	14.0
15,000	1 3/8-6	1.75	2.11	1-1/4	1.89	46806	4.06	8.73				6.50	3.76	470	14.5
15,000	1 3/8-8	1.75	2.11	1-1/4	1.89	46807	4.06	8.73				6.50	3.76	470	14.5
20,000	1 3/8-6	2.00	2.40	1-1/2	2.50	46702	5.50	10.20				7.46	4.31	540	23.0
24,000	1 1/2-6	2.25	2.81	1-3/4	2.70	46404	6.41	12.47				8.55	4.87	800	34.0
24,000	1 1/2-8	2.25	2.81	1-3/4	2.70	46405	6.41	12.47				8.55	4.87	800	34.0
24,000	1 3/4-5	2.25	2.81	1-3/4	2.70	46408	6.16	12.47				8.55	4.87	800	34.0
24,000	1 3/4-8	2.25	2.81	1-3/4	3.20	46406	6.16	12.47				8.55	4.87	800	34.0
30,000	2-4 1/2	2.25	2.81	1-3/4	2.96	46400	5.91	12.47				8.55	4.87	800	36.0
30,000	2-8	2.25	2.81	1-3/4	2.96	46440	5.91	12.47				8.55	4.87	800	36.0
30,000	2 1/4-4 1/2	2.25	2.81	1-3/4	3.20	46431	5.66	12.47				8.55	4.87	800	40.0
30,000	2 1/4-8	2.25	2.81	1-3/4	3.20	46435	5.66	12.47				8.55	4.87	800	40.0
50,000	2 1/2-8	3.00	4.09	2-1/4	4.00	47002	8.03	16.87				11.67	6.52	2100	88.0
50,000	2 1/2-4	3.00	4.09	2-1/4	4.00	47006	8.03	16.87				11.67	6.52	2100	88.0
50,000	2 3/4-4	3.00	4.09	2-1/4	4.00	47008	7.75	16.87				11.67	6.52	2100	90.0
50,000	2 3/4-8	3.00	4.09	2-1/4	4.00	47010	7.75	16.87				11.67	6.52	2100	90.0
75,000	3-4	3.75	5.27	2-3/4	5.00	47200	8.48	19.50				14.15	8.10	4300	166.0
75,000	3-8	3.75	5.27	2-3/4	5.00	47202	8.48	19.50				14.15	8.10	4300	166.0
100,000	3 1/2-4	4.00	6.06	3-1/4	7.00	47402	9.28	22.09				15.90	8.60	5100	265.0
100,000	3 1/2-8	4.00	6.06	3-1/4	7.00	47406	9.28	22.09				15.90	8.60	5100	265.0
250,000	6-4	6.00	14.00	5	9.00	47602	14.00	33.00				25.00	13.00	9900	790.0

Other Styles, Metric, Stainless and Special Length Available