

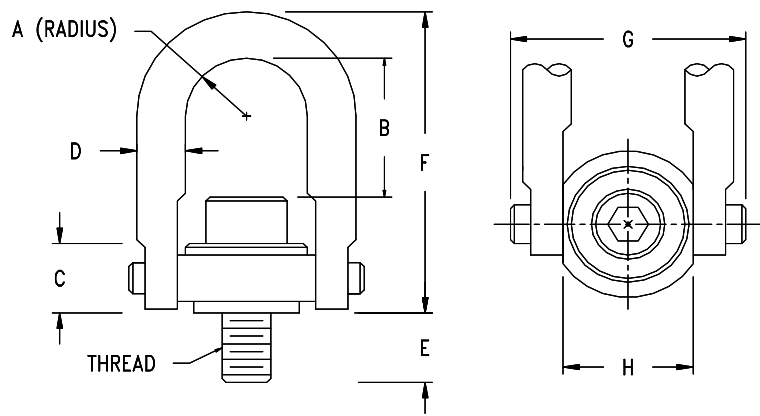
# SAFETY SWIVEL HOIST RING



- 200% PROOF-LOAD TESTED WITH SERIAL NUMBER FOR TRACEABILITY
  - SWIVELS 360° - PIVOTS 180°
  - MATERIAL: AIRCRAFT QUALITY ALLOY (180 KSI TENSILE STRENGTH, MINIMUM)
  - FINISH: BLACK OXIDE PER MIL SPEC
- ALSO AVAILABLE: CADMIUM PLATED, ELECTROLESS NICKEL PLATED, ZINC PLATED
- SAFETY FACTOR: 5:1
  - MAGNETIC PARTICLE INSPECTED
  - CERTIFIED HEAT TREATMENT
  - RATED AT 100% FROM 0°~90°
  - FATIGUE TESTED TO 20,000 CYCLE AT 1-1/2X THE RATED LOAD
  - MEETS OR EXCEEDS THE REQUIREMENTS OF ASME B30.26
  - THREAD: LONGER THREAD PROJECTION AND FINE THREAD AVAILABLE

Rated Loads (Lbs)	Thread Size	A	C	D	E	Standard U-Bar			Long U-Bar			G	H	Torque Ft/#	Wt. (Lbs)
						Part No.	B	F	Part No.	B	F				
600	1/4-20	0.43	0.71	3/8	0.54	46100	1.27	2.67				1.84	1.00	6	0.3
800	5/16-18	0.43	0.71	3/8	0.29	46102	1.27	2.67				1.84	1.00	7	0.3
800	5/16-18	0.43	0.71	3/8	0.54	46104	1.27	2.67				1.84	1.00	7	0.3
1,000	3/8-16	0.43	0.71	3/8	0.54	46106	1.27	2.67				1.84	1.00	12	0.3
1,250	7/16-14	0.43	0.71	3/8	0.79	46351	1.20	2.67				1.84	1.00	22	0.4
1,500	1/2-13	0.43	0.71	3/8	0.79	46352	1.15	2.67				1.84	1.00	28	0.4
2,000	7/16-14	0.70	0.93	1/2	1.07	46606	1.90	3.77				2.58	1.49	22	1.0
2,500	1/2-13	0.70	0.93	1/2	1.07	46602	1.84	3.77				2.58	1.49	28	1.0
2,000	7/16-14	0.88	1.22	3/4	0.78	46000	2.37	4.78	46638	4.34	6.72	3.52	1.99	22	2.6
2,500	1/2-13	0.88	1.22	3/4	0.78	46008	2.31	4.78	46644	4.25	6.72	3.52	1.99	28	2.6
2,500	1/2-13	0.88	1.22	3/4	1.03	46010	2.31	4.78	46646	4.25	6.72	3.52	1.99	28	2.6
2,500	1/2-13	0.88	1.22	3/4	1.28	46012	2.31	4.78	46648	4.25	6.72	3.52	1.99	28	2.6
2,500	9/16-12	0.88	1.22	3/4	0.78	46007	2.25	4.78	46651	4.19	6.72	3.52	1.99	30	2.6
4,000	5/8-11	0.88	1.22	3/4	0.78	46002	2.18	4.78	46641	4.12	6.72	3.52	1.99	60	2.6
4,000	5/8-11	0.88	1.22	3/4	1.03	46004	2.18	4.78	46640	4.12	6.72	3.52	1.99	60	2.6
4,000	5/8-11	0.88	1.22	3/4	1.28	46006	2.18	4.78	46642	4.12	6.72	3.52	1.99	60	2.6
4,000	5/8-11	0.88	1.22	3/4	1.53	46005	2.18	4.78	46643	4.12	6.72	3.52	1.99	60	2.6
5,000	3/4-10	0.88	1.22	3/4	1.03	46014	2.06	4.78	46650	4.00	6.72	3.52	1.99	100	3.0
5,000	3/4-10	0.88	1.22	3/4	1.53	46018	2.06	4.78	46654	4.00	6.72	3.52	1.99	100	3.0
6,000	7/8-9	0.88	1.22	3/4	1.53	46353	1.94	4.78	41604	3.88	6.72	3.52	1.99	160	3.0
6,500	1-8	0.88	1.22	3/4	1.53	46354	1.71	4.78	41606	3.75	6.72	3.52	1.99	230	3.0

# SAFETY SWIVEL HOIST RING



**READ SAFETY PRECAUTION  
PRIOR TO USE  
(SAFETY 5)**

Rated Loads (Lbs)	Thread Size	A	C	D	E	Standard U-Bar			Long U-Bar			G	H	Torque Ft/#	Wt. (Lbs)
						Part No.	B	F	Part No.	B	F				
7,000	3/4-10	1.40	1.71	1	1.04	46204	3.06	6.52	46658	4.65	8.11	5.14	3.00	100	7.0
7,000	3/4-10	1.40	1.71	1	1.54	46206	3.06	6.52	46660	4.65	8.11	5.14	3.00	100	7.0
8,000	7/8-9	1.40	1.71	1	1.04	46202	2.93	6.52	46656	4.52	8.11	5.14	3.00	160	7.0
8,000	7/8-9	1.40	1.71	1	1.29	46203	2.93	6.52	46657	4.52	8.11	5.14	3.00	160	7.0
8,000	7/8-9	1.40	1.71	1	1.54	46205	2.93	6.52	46655	4.52	8.11	5.14	3.00	160	7.0
10,000	1-8	1.40	1.71	1	1.29	46210	2.81	6.52	46662	4.40	8.11	5.14	3.00	230	7.5
10,000	1-8	1.40	1.71	1	1.54	46212	2.81	6.52	46664	4.40	8.11	5.14	3.00	230	7.5
10,000	1-8	1.40	1.71	1	2.29	46214	2.81	6.52	46666	4.40	8.11	5.14	3.00	230	7.5
10,000	1 1/8-7	1.40	1.71	1	2.29	46216	2.69	6.52	46668	4.28	8.11	5.14	3.00	230	7.5
10,000	1 1/8-8	1.40	1.71	1	2.29	46217	2.69	6.52	46669	4.28	8.11	5.14	3.00	230	7.5
11,500	1 1/4-7	1.40	1.71	1	2.10	46355	2.44	6.52	41612	4.24	8.11	5.14	3.00	470	8.0
12,000	1 3/8-6	1.40	1.71	1	2.10	46356	2.31	6.52	41614	4.13	8.11	5.14	3.00	470	8.0
12,500	1 1/2-6	1.40	1.71	1	2.00	46357	2.19	6.52	41616	4.00	8.11	5.14	3.00	800	8.0
15,000	1 1/4-7	1.75	2.11	1-1/4	1.89	46802	4.12	8.73				6.50	3.76	470	14.0
15,000	1 1/4-8	1.75	2.11	1-1/4	1.89	46805	4.12	8.73				6.50	3.76	470	14.0
15,000	1 3/8-6	1.75	2.11	1-1/4	1.89	46806	4.06	8.73				6.50	3.76	470	14.5
15,000	1 3/8-8	1.75	2.11	1-1/4	1.89	46807	4.06	8.73				6.50	3.76	470	14.5
16,500	1 1/2-6	1.75	2.11	1-1/4	2.80	46359	4.02	8.73				6.50	3.76	800	16.0
17,000	1 5/8-5 1/2	1.75	2.11	1-1/4	2.80	46360	3.90	8.73				6.50	3.76	800	16.0
17,500	1 3/4-5	1.75	2.11	1-1/4	2.80	46361	3.77	8.73				6.50	3.76	800	16.0
18,000	1 7/8-5	1.75	2.11	1-1/4	2.80	46362	3.65	8.73				6.50	3.76	800	16.0
18,500	2-4 1/2	1.75	2.11	1-1/4	2.80	46363	3.52	8.73				6.50	3.76	800	16.0
20,000	1 3/8-6	2.00	2.40	1-1/2	2.50	46702	5.50	10.20				7.46	4.31	540	23.0
24,000	1 1/2-6	2.25	2.81	1-3/4	2.70	46404	6.41	12.47				8.55	4.87	800	34.0
24,000	1 1/2-8	2.25	2.81	1-3/4	2.70	46405	6.41	12.47				8.55	4.87	800	34.0
24,000	1 3/4-5	2.25	2.81	1-3/4	3.20	46408	6.16	12.47				8.55	4.87	800	34.0
24,000	1 3/4-8	2.25	2.81	1-3/4	3.20	46406	6.16	12.47				8.55	4.87	800	34.0
30,000	2-4 1/2	2.25	2.81	1-3/4	3.20	46400	5.91	12.47				8.55	4.87	800	36.0
30,000	2-8	2.25	2.81	1-3/4	3.20	46440	5.91	12.47				8.55	4.87	800	36.0
30,000	2 1/4-4 1/2	2.25	2.81	1-3/4	3.20	46431	5.66	12.47				8.55	4.87	800	40.0
30,000	2 1/4-8	2.25	2.81	1-3/4	3.20	46435	5.66	12.47				8.55	4.87	800	40.0
32,500	2 1/4-4 1/2	2.25	2.81	1-3/4	2.90	46364	5.86	12.47				8.55	4.87	800	40.0
35,000	2 1/2-4	2.25	2.81	1-3/4	3.90	46365	5.63	12.47				8.55	4.87	2100	40.0
35,000	2 1/2-8	2.25	2.81	1-3/4	3.90	46368	5.63	12.47				8.55	4.87	2100	40.0
50,000	2 1/2-8	3.00	4.09	2-1/4	4.00	47002	8.03	16.87				10.67	6.52	2100	88.0
50,000	2 1/2-4	3.00	4.09	2-1/4	4.00	47006	8.03	16.87				10.67	6.52	2100	88.0
50,000	2 3/4-4	3.00	4.09	2-1/4	4.00	47008	7.75	16.87				10.67	6.52	2100	90.0
50,000	2 3/4-8	3.00	4.09	2-1/4	4.00	47010	7.75	16.87				10.67	6.52	2100	90.0
55,000	2 3/4-4	3.00	4.09	2-1/4	4.00	46366	6.16	16.87				11.67	6.52	2100	92.0
60,000	3-4	3.00	4.09	2-1/4	5.00	46367	6.16	16.87				11.67	6.52	4300	92.0
75,000	3-4	3.75	5.27	2-3/4	5.25	47200	8.48	19.50				14.15	8.10	4300	166.0
75,000	3-8	3.75	5.27	2-3/4	5.25	47202	8.48	19.50				14.15	8.10	4300	166.0
80,000	3 1/2-4	3.75	5.27	2-3/4	5.00	46332	7.98	19.50				14.15	8.10	5100	172.0
80,000	3 1/2-8	3.75	5.27	2-3/4	5.00	46334	7.98	19.50				14.15	8.10	5100	172.0
100,000	3 1/2-4	4.00	6.06	3-1/4	7.00	47402	9.28	22.09				15.90	8.60	5100	265.0
100,000	3 1/2-8	4.00	6.06	3-1/4	7.00	47406	9.28	22.09				15.90	8.60	5100	265.0
250,000	6-4	6.00	14.00	5	9.00	47602	14.00	33.00				25.00	13.00	9900	790.0